

Stellar® Service Crane

# EC5000



TECHNICAL SPECIFICATION GUIDE



*Our People. Our Products.*

## ■ SPECIFICATION INFORMATION

Crane Rating:	25,000 ft-lbs (3.46 ton-meters)
Standard Boom Length:	10' (3.05 m) from CL of Crane
Boom Extension:	
• 1st stage:	Hydraulic 60" (152.4 cm)
• 2nd stage:	Manual 60" (152.4 cm)
Max. Horizontal Reach:	20' (6.10 m) from CL of Crane
Maximum Vertical Lift: (from crane base)	21' 3" (6.48 m)
Boom Elevation:	-5 to +80 degree
Stowed Height: (crane only)	29.53" (75 cm)
Mounting Space Required:	19" x 19" (48.3 x 48.3 cm)
Shipping Weight:	1180 lbs (535 kg)
Controls:	Radio control standard for all functions
Winch	
• Rope Length:	90' (27.4 m)
• Rope Diameter:	5/16" (.79 cm)
• Line pull speed:	16 ft/min (4.88 m/min)
• Max. single part line:	2500 lbs (1134 Kg)
• Max. double part line:	5000 lbs (2268 Kg)
Rotation:	410 degree power (worm gear)
Lifting Capacities:	5000 lbs @ 5' (2268 Kg @ 1.5 m) 1250 lbs @ 20' (565 Kg @ 6.1 m)
Power Supply Required:	12 volt power unit 2.0 gpm @ 2900 psi (7.57 lpm @ 200 bars)
Min. Rec. Chassis (GVRW)	14,500*

\*Guideline for Stellar® TMAX™ package with curbside rear crane. Consult with Stellar for other installations.

NOTE: All Stellar cranes meet ANSI B30.5 and OSHA 1910.180 specifications. Specifications subject to change without notification.

## ■ DEFINING CHARACTERISTICS

### Planetary Drive Winch System

The winch is equipped with a 1.8 HP permanent magnet electric motor with a 315:1 planetary gear reduction system. This ensures that your winch will never quit lifting before it reaches the full rated capacity.

### Double Boom Design

The double boom design makes it nearly twice as strong as the nearest competitor.

### Gear Bearing Rotation

Uses same rotation system as the larger class cranes. There are no plastic bushings or brass gears in the rotation system. It uses a high strength steel ball bearing turntable gear, a high strength steel worm gear, and a cast steel worm gear housing.

### Integral Rotation Stop

410 degrees of rotation with an integrated rotation stop. Integrated stops allow you the greatest performance while protecting wires and hoses from damage.

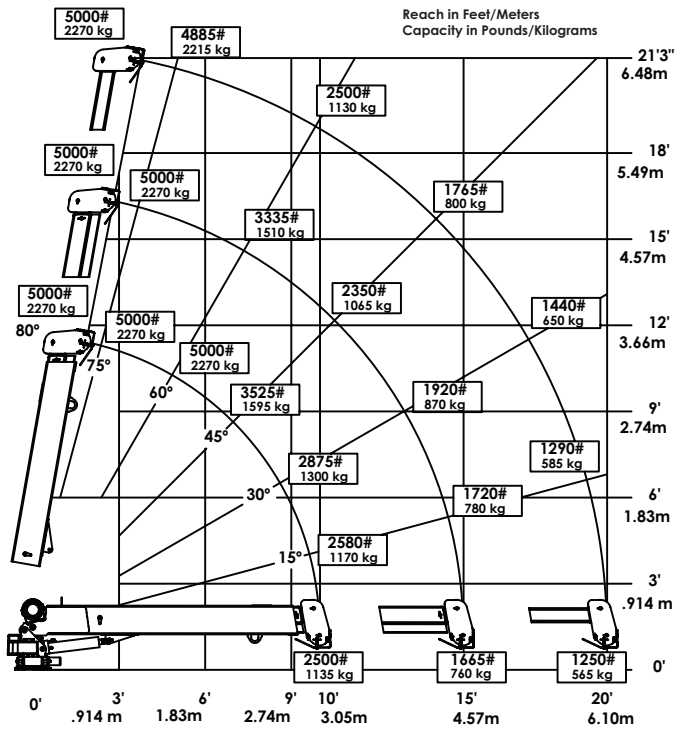
### 20' of Reach

Hydraulic 1st stage extension. Manual 2nd stage extension.

### Radio Remote

Comes standard with a radio remote control.

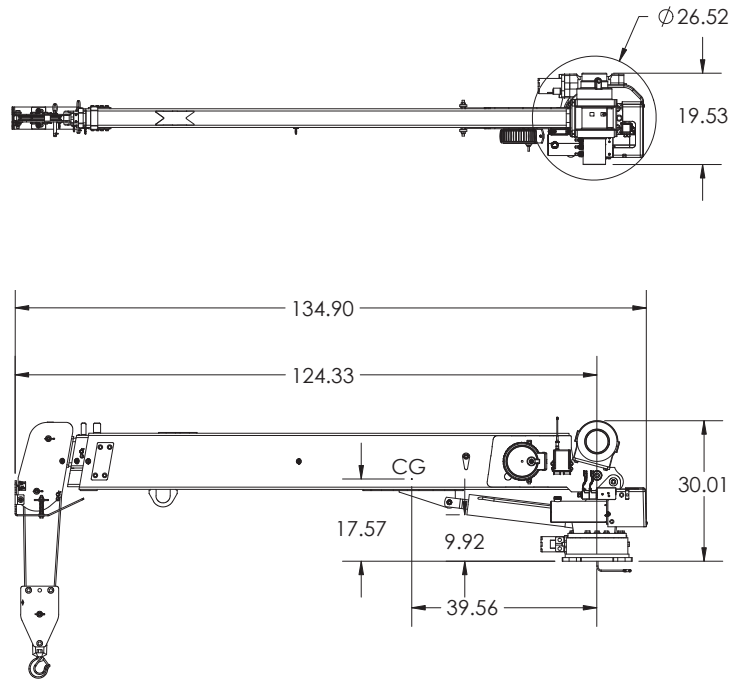
### ■ EC5000 CAPACITY CHART



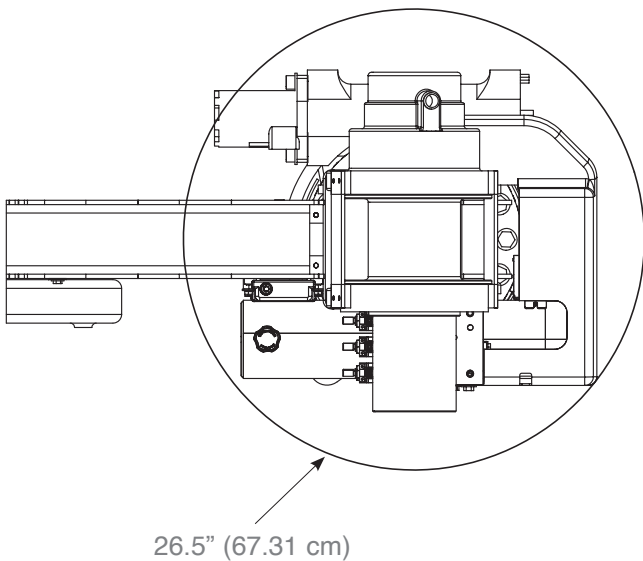
Weight of load handling devices are part of the load lifted and must be deducted from the capacity.

Maximum 1 - part line capacity is 2500 lbs. (1130 kg). For greater loads, use 2 - part line.

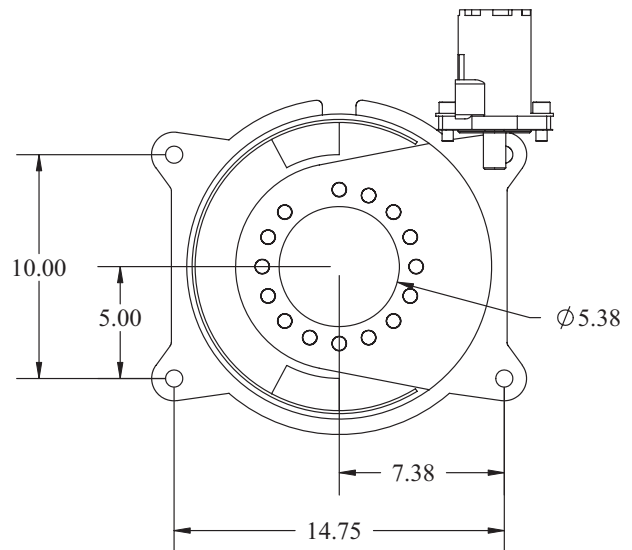
### ■ GEOMETRIC DIMENSIONS



### ■ ROTATIONAL CLEARANCE

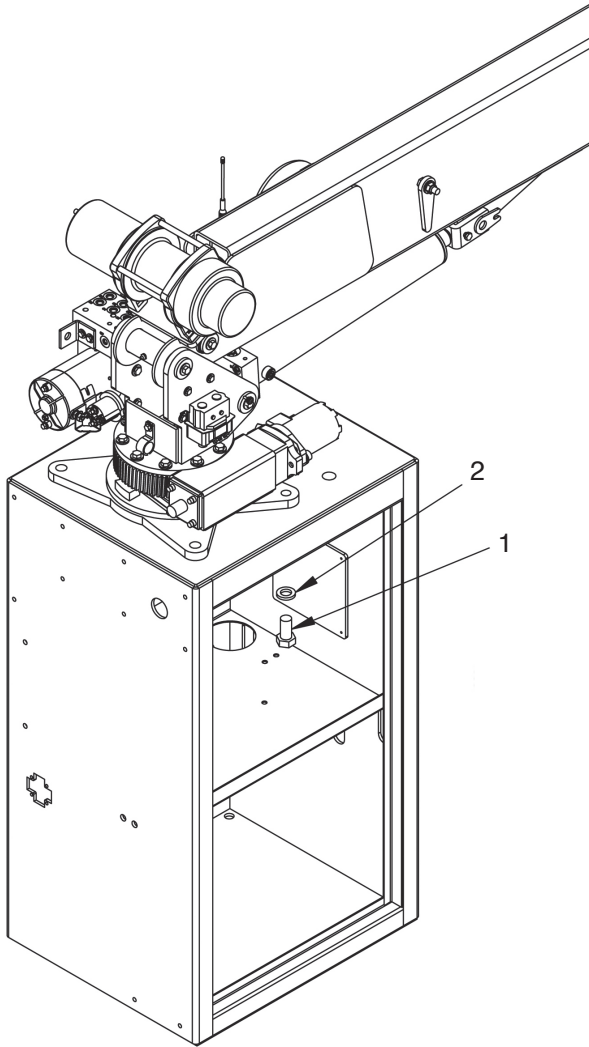


### ■ HOLE MOUNTING DETAIL



■ **SERVICE BODY MOUNT**

Mounts on 20" deep (or larger) side packs.



Item	Part	Description	Qty.
1	42985	Cap Scr 0.88-9x1.75 HHGR8ZY	4
2	8648	Washer 0.88 SAE GR8	4

Your local distributor:



*Our People. Our Products.*

190 State Street  
P.O. Box 169  
Garner, IA 50438  
Telephone: (641) 923-3741 • (800) 321-3741  
Fax: (641) 923-2812  
Internet: [www.stellarindustries.com](http://www.stellarindustries.com)  
Email: [sales@stellarindustries.com](mailto:sales@stellarindustries.com)