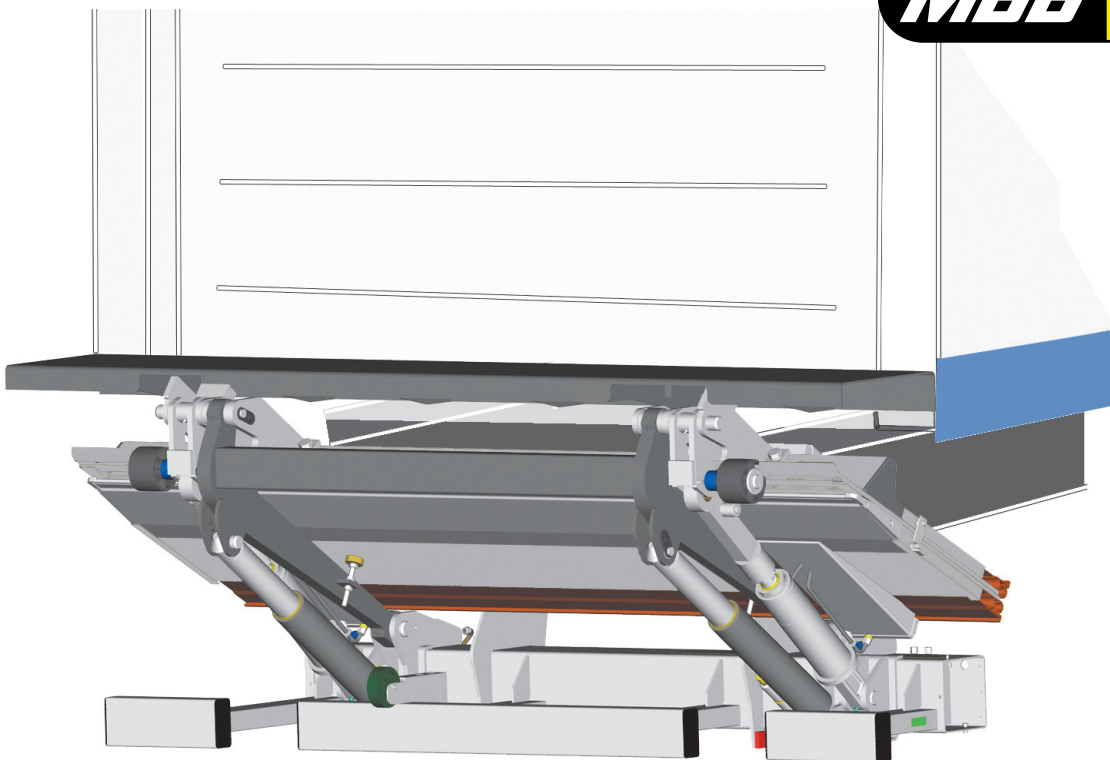


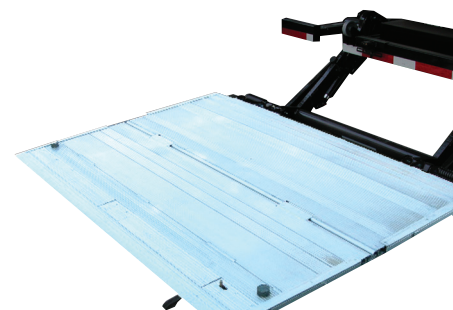
ILF 4 AUTO FOLD

3300, 4400, 5500 lbs. Capacity

MBB PALFINGER



ILF 44- 55



ILF 33

—OPTIMIZED—
FLEXIBILITY
DURABILITY
PROFITABILITY

With the turn of a button, the ILF practically self closes!

Our unique four cylinder folding tilt allows for a level ride platform regardless of terrain. It compensates for uphill or downhill loading situations and offers one of the largest platforms in the class.



HEAVY DUTY CONSTRUCTION

- Bushings and zerks at all pivot points
- High quality components
- Heat treated pins
- Fixed 3 piece rear impact guard
- Thermo protected powerpack:
 - Inside mount frame
 - Decreases maintenance costs
 - Increases life of components

BUILT IN STANDARD/ SAFETY FEATURES

- True level ride
- Easy operation:
 - Adjustable roller and platform tip torsion assist
 - Hydraulic assisted platform opening and closing
- 4 Cylinder stability and safety
- Cab shut off switch
- Hydraulic cylinder locks on cylinder ports
- Hand held remote

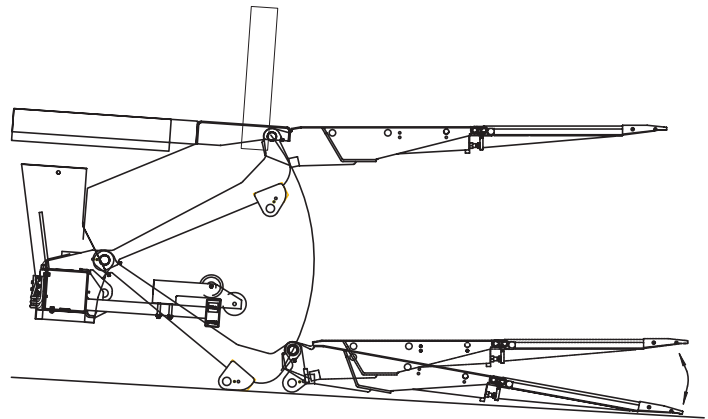
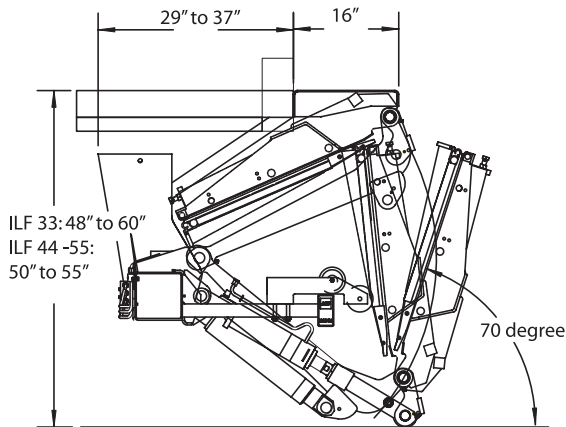
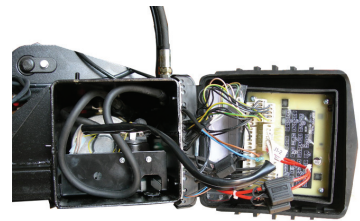
The ILF series incorporates an unrivaled level of automation by design in its class. Most of the folding operation is done by turning a switch and letting the electro-hydraulics do the work. Operator is left to manually fold the torsion assisted tip section, which requires minimum effort of folding force, and to pull out and push in a near vertical platform when using the lift.

MBB PALFINGER liftgates are built with oversized components for great reliability. Our standard hydraulic cylinder locks provide added stability, better user control, and improved operator safety.

The 4 cylinder design can accommodate a fixed receiver hitch. The platform rotates on an adjustable roller to adapt for easier operation on different bed heights.



The thermo protected PowerPack and the centrally located circuit board is fully enclosed in the mount tube for fast installations and slides out for easy inspection. By using oversized and thermo protected quality components we minimize maintenance and downtime.



STANDARD FEATURES:

- ILF 44-55 steel main section- aluminum tip
- ILF 33 aluminum platform
- 150 AMP circuit breaker
- 3 Piece rear impact guard
- Provides added stability
- Can accept a fixed hitch
- Structural tubing heavy duty dock bumpers

LIFTGATE OPTIONS:

- Auxiliary truck and trailer kits
- Dock bumpers
- Rubber pads
- Carts stops
- DOT rear impact guard

Model	Lifting Capacity (lbs)	Platform Length (inches)	Platform Width (inches)	Bed Height (inches)	Approx. Weight (lbs)	Mount Clearance (inches)
ILF 33	3300	63	86	48" - 60"	1000	31" - 37"
ILF 44	4400	63	86	50" - 55"	1200	29" - 33"
ILF 55	5500	63	86	50" - 55"	1250	29" - 33"