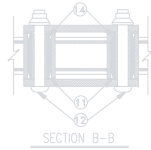
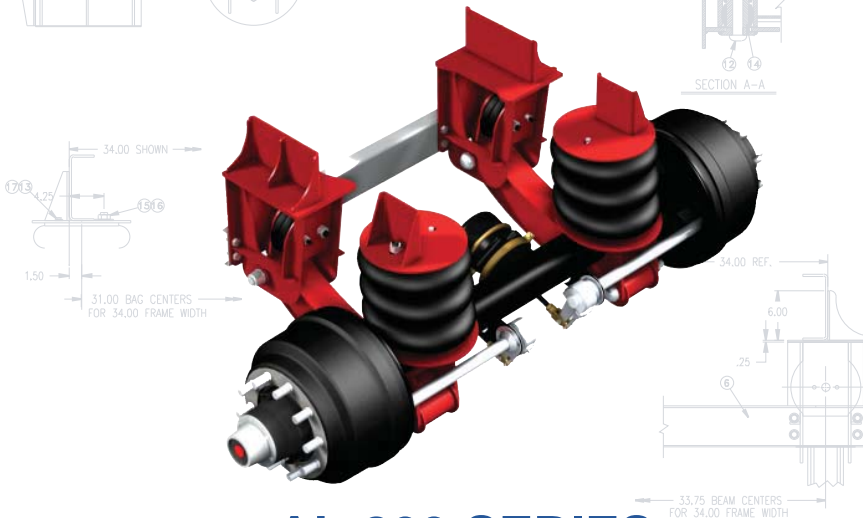




Watson Suspension Systems



## AL-800 NON-STEERABLE LIFT AXLE SUSPENSION



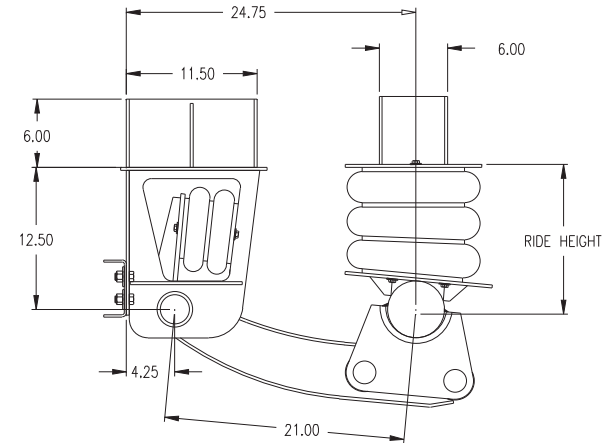
## AL-800 SERIES

- 3 Year Warranty
- 13,200 lb. Capacity
- Maintenance Free with HUCK Fasteners

LEADERSHIP IN SUSPENSION TECHNOLOGY

## AL-800 SERIES NON-STEERABLE LIFT AXLE SUSPENSION

### AVAILABLE AS PUSHER OR TAG AXLE ASSEMBLY



- Axle Travel: 12 in.
- Axle Lift: 8 in.
- Capacity 13,200 lbs.
- Ride Heights: 10 thru 18 in.
- Air Ride - Air Lift
- Lightweight: 310 lbs. (w/o axle)
- Compact Design
- Maintenance Free HUCK Fasteners
- Two Pin Axle Connection Rubber Bushed
- Roll Off Version Available



For questions or to place an order, please contact HAWKEYE TRUCK EQUIPMENT at 515-289-1755 or 1-800-622-8223.