

# SL-2055 20K TRU-TRACK

## SELF-STEERING AXLE AND LIFT SUSPENSION SYSTEM



## SL-2055

The SL-2055 20K TRU-TRACK with a rated capacity up to 20,000 pounds sets the standard for a high-capacity steerable lift axle and incorporates our "quick-change ride height system". The SL-2055 is ideal for heavy-haul, dump, logging and miscellaneous applications. The SL-2055 offers significant weight savings over previous models yet is highly durable utilizing Huck fasteners at the pivot points. All TRU-TRACK lift axles are backed by our 5-year limited warranty\*.

- 20,000 pound suspension capacity
- Maintenance-free Huck fasteners
- Compatible with 445/65R22.5 tires
- Quick-change ride height system
- 5-year limited warranty\*

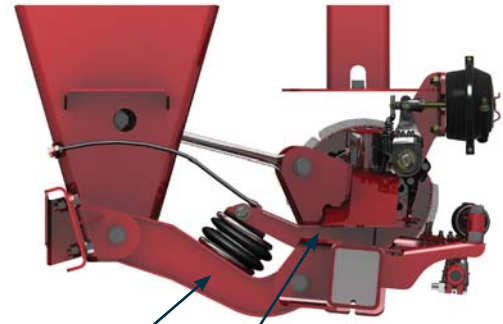
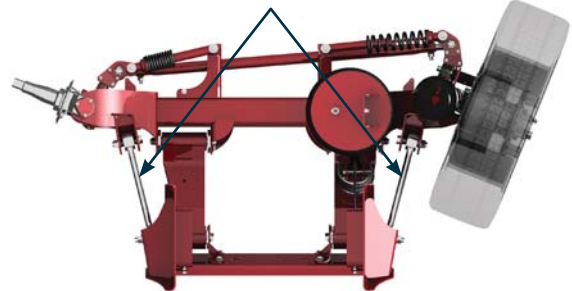
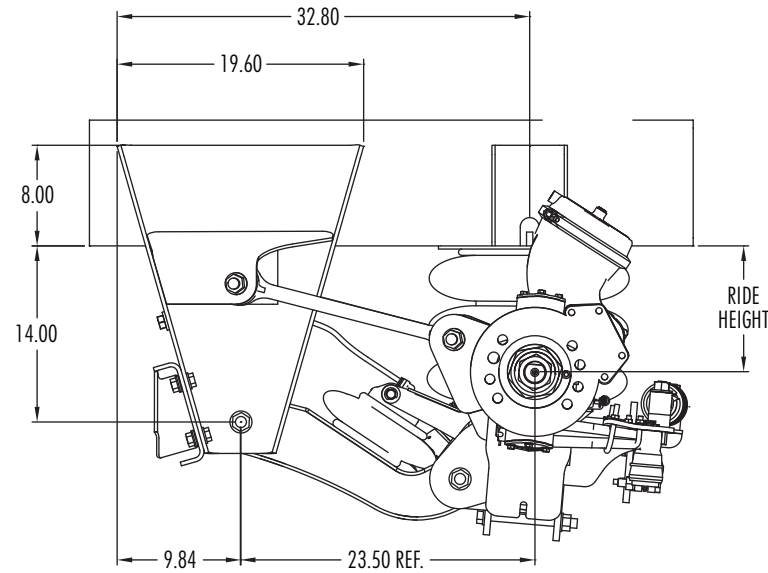
\* Contact your local Watson & Chalin representative for complete warranty terms, conditions and limitations.



*Leadership in Suspension Technology*

## INTEGRATED SUSPENSION AND AXLE ASSEMBLY

Torque rods angled outward towards rear for better lateral stability



New style lift and ride height adjustment features

- Axle travel: 12 in.
- Capacity: 20,000 lbs.
- Axle lift: Up to 8 in.
- Ride heights: 9 thru 13 in.
- Fabricated axle, industry standard components
- Preset caster
- Lightweight: 1,297 lbs.
- Reverse lock-out kit available
- Dual self-centering stabilizers
- Air ride – air lift
- 25 degree wheel cut
- Parallelogram design

For questions or to place an order, please contact HAWKEYE TRUCK EQUIPMENT at 515-289-1755 or 1-800-622-8223.

