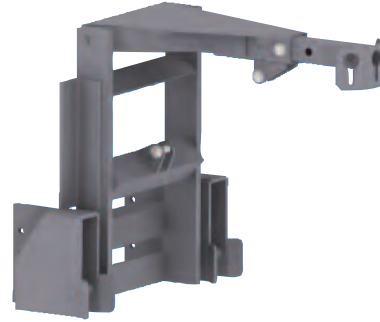


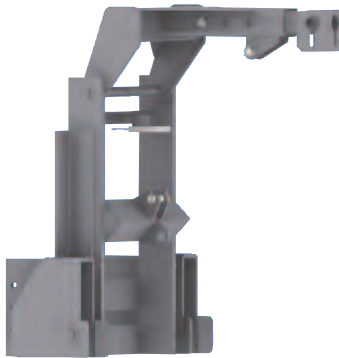
- MC7082**
- High Profile
 - Positive 2 point Latch System
 - 30.5" Centers
 - Manual Tilt
 - Telescopic Lift Arm



- MC7083**
- High Profile
 - Positive 2 point Latch System
 - 30.5" Centers
 - Non Tilt
 - Telescopic Lift Arm



- 00015137 MC7000**
- Low Profile
 - Positive 2 point Latch System
 - 30.5" Centers
 - Non Tilt
 - Telescopic Lift Arm



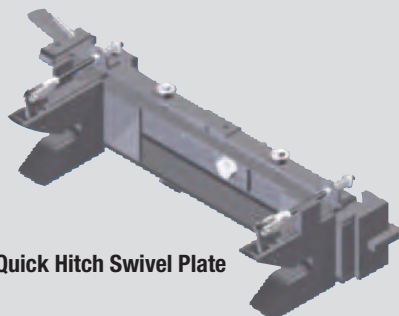
- 00054392 MC7090**
- Low Profile
 - Positive 2 point Latch System
 - 30.5" Centers
 - Non Tilt
 - Telescopic w/Fold Flat Lift Arm



- 00102712 MC7092**
- Low Profile
 - Positive 2 point Latch System
 - 30.5" Centers
 - Manual Tilt
 - Telescopic Lift Arm



Plow Portion Hitches



MC6000 Quick Hitch Swivel Plate