

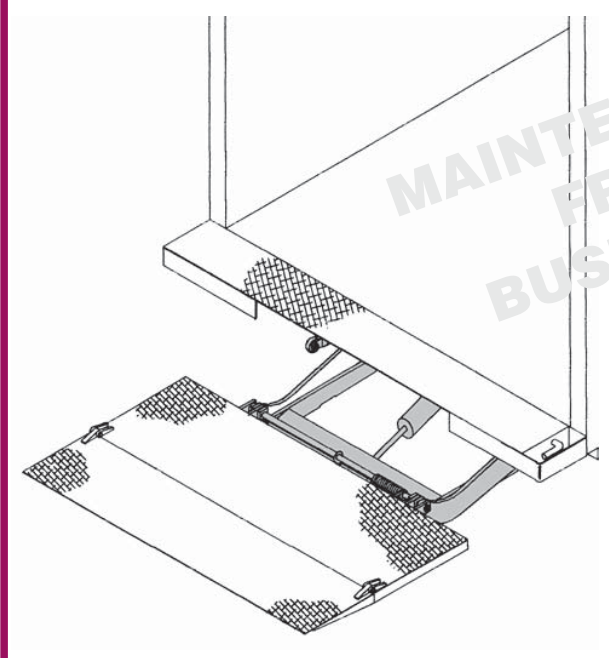
StowAway

Tailgates By THIEMAN

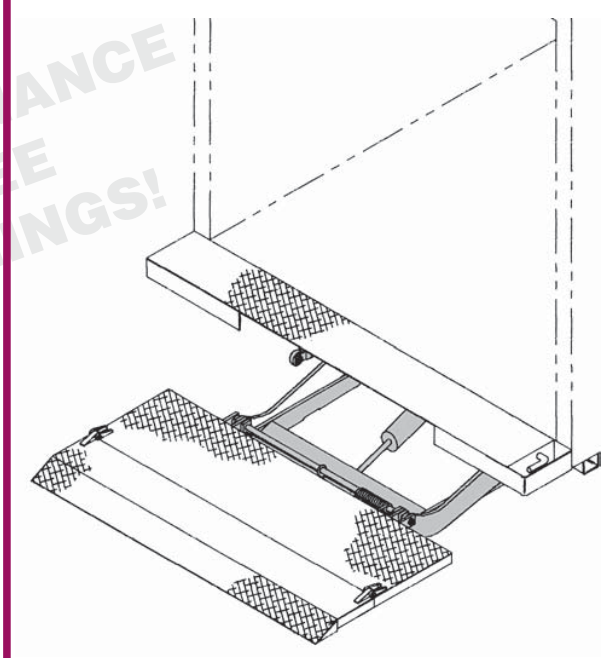
Raising Performance to New Levels

M-SERIES

Optional 42" Deep Wedge Platform



Standard 36" Deep Platform



FEATURING:

- MAINTENANCE FREE BUSHINGS
- Fast and Easy Installation
- 1,600 to 3,000 lb. Capacities
- Meets TMC Electrical Guidelines
- Snubber Kit
- Heavy-Duty Reinforced Spacer
- Pre-Mounted Pump and Cylinder
- Torsion Spring Assist

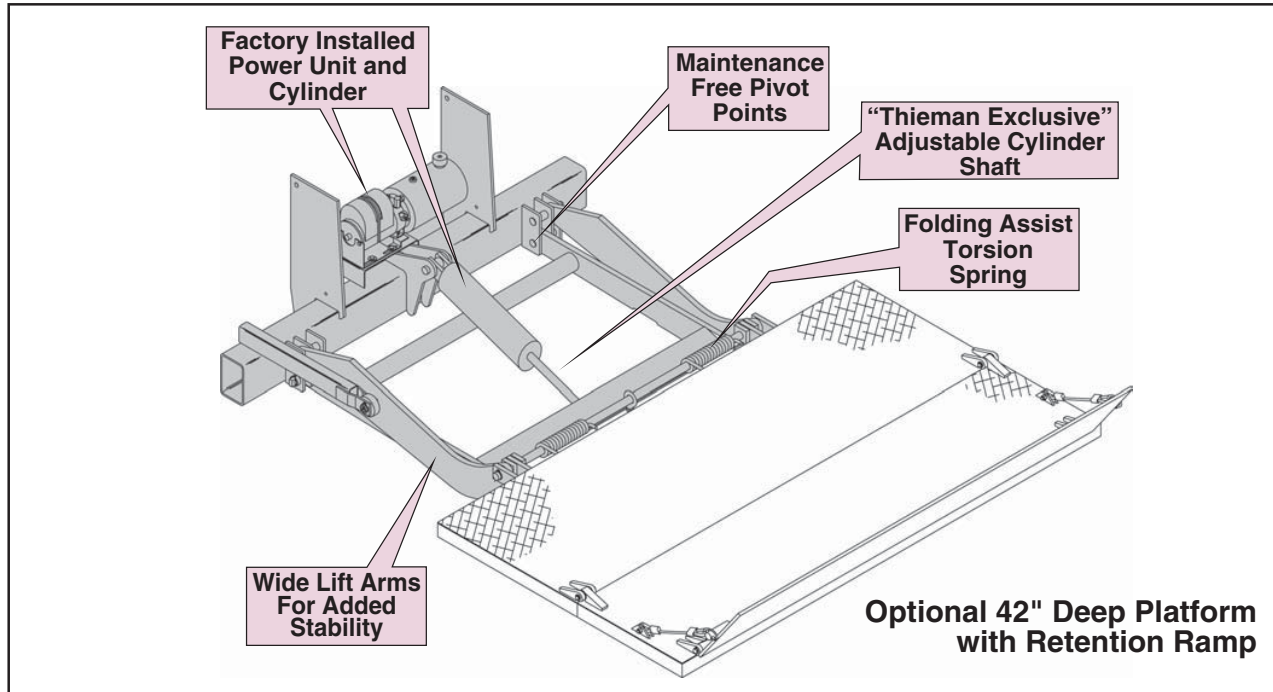
The THIEMAN M Series Stowaway is the industry standard for handling medium-duty loads.

Designed for fast and easy installation, the M16/20/25/30 includes a pre-assembled pump and cylinder. With the dual torsion spring assist, the operator can fold and unfold the platform with much less effort.

With its durable design and many standard features, the THIEMAN M Series is the choice among general purpose Stowaways.



Features, Benefits and Specifications



STANDARD FEATURES AND BENEFITS:

- Pre-Assembled Pump and Cylinder for Quick and Easy Installation.
- Maintenance Free Bushings at All Major Pivot Points.
- Molded Toggle Switch (Convenient Mounting and Environmentally Sealed)
- 150 Amp Circuit Breaker for Electrical Protection.
- Torsion Springs for Easy Platform Handling.
- Heavy-Duty Reinforced Spacer with Automatic Latch.
- Standard Snubber Kit to Prevent Wear of Liftgate While in Traveling Position.
- Meets All TMC Electrical Guidelines for Reduced Service Requirements.

AVAILABLE OPTIONS FOR M SERIES:

- Pintle Hitch Bracket
- Low Bed (34"-39") Applications
- Remote Pendant Control
- In-Cab Shut Off Switch
- Aluminum Platform
- Heavy-Duty I-Beam Dock Bumpers
- Light Kits
- Trailer Kits
- Power Down
- Power Unit Enclosures

| Model # | Platform | Load Capacity | Approx. Install Wt. | Bed Height Range |
|----------|------------------------|---------------|---------------------|------------------|
| M-16ET | 72" or 84" x 36" + 6" | 1600 lbs. | 748 or 778 lbs. | 37" to 54" |
| M-16ET | 72" or 84" x 42" wedge | 1600 lbs. | 745 or 783 lbs. | 45" to 54" |
| MLB-16ET | 72" or 84" x 29" + 6" | 1600 lbs. | 750 or 789 lbs. | 34" to 39" |
| M-20ET | 72" or 84" x 36" + 6" | 2000 lbs. | 753 or 783 lbs. | 37" to 54" |
| M-20ET | 72" or 84" x 42" wedge | 2000 lbs. | 750 or 788 lbs. | 45" to 54" |
| MLB-20ET | 72" or 84" x 29" + 6" | 2000 lbs. | 765 or 804 lbs. | 34" to 39" |
| M-25ET | 72" or 84" x 36" + 6" | 2500 lbs. | 861 or 895 lbs. | 38" to 54" |
| M-25ET | 72" or 84" x 42" wedge | 2500 lbs. | 878 or 916 lbs. | 45" to 54" |
| MLB-25ET | 72" or 84" x 29" + 6" | 2500 lbs. | 890 or 924 lbs. | 34" to 39" |
| M-30ET | 72" or 84" x 36" + 6" | 3000 lbs. | 866 or 900 lbs. | 38" to 54" |
| MLB-30ET | 72" or 84" x 29" + 6" | 3000 lbs. | 905 or 939 lbs. | 34" to 39" |

Application: Van Bodies, Stake Bodies, and Trailers
 ET- Electric with Toggle Switch Control/Gravity Down

Distributed By:
Hawkeye Truck Equipment
 (515) 289-1755
 (800) 622-8223

THIEMAN
TAILGATES INC.
Raising Performance to New Levels

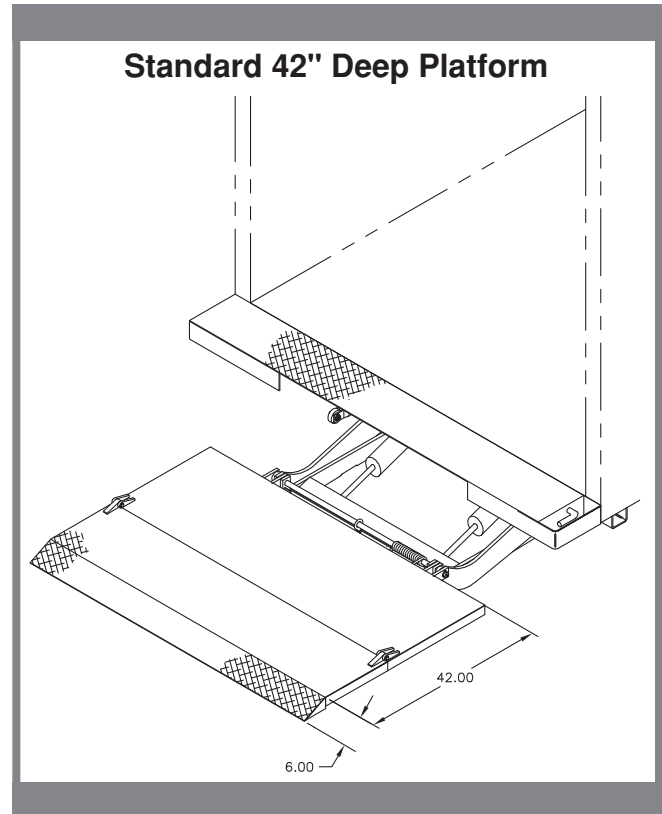
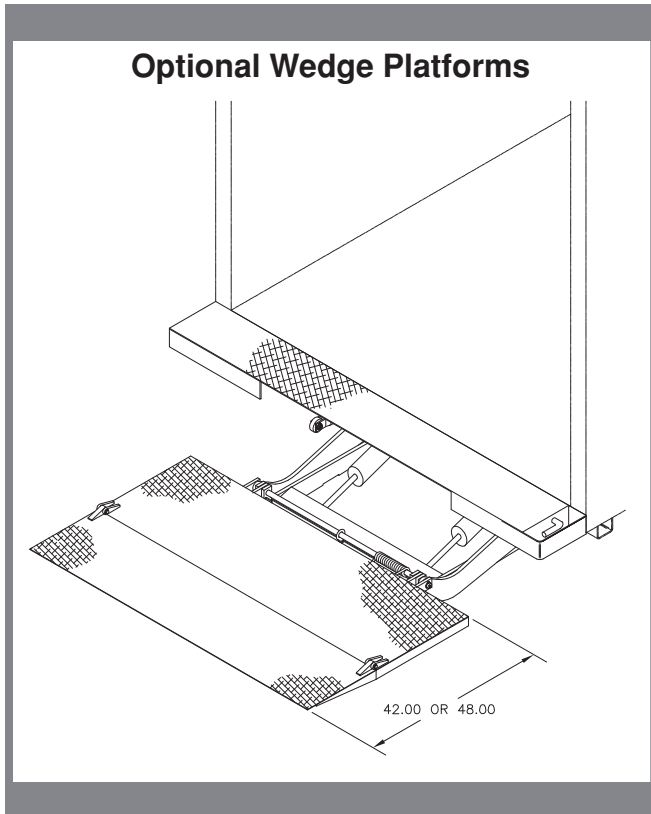
THIEMAN Reserves the right to Change Products Specifications at any time Without Prior Notice.
 Printed in U.S.A. Rev. 12/09 • 4M • MP68824

StowAway

Tailgates By THIEMAN

Raising Performance to New Levels

MDC-SERIES



FEATURING:

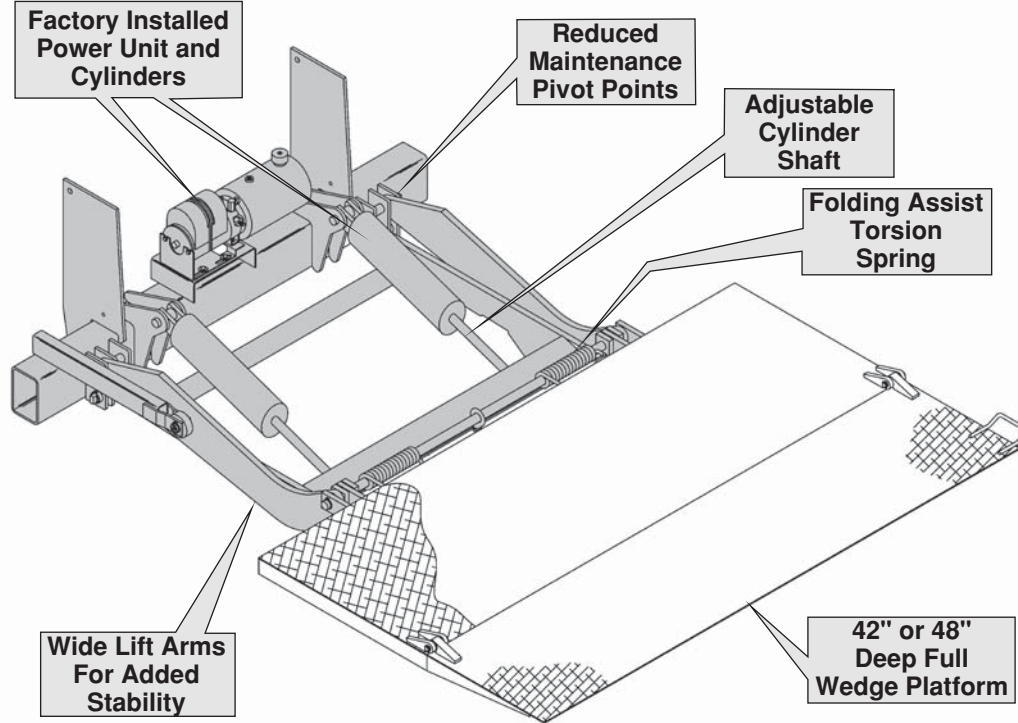
- Reduced Maintenance Bushings
- Fast and Easy Installation
- 2,500 to 3,000 lb. Capacities
- Meets TMC Electrical Guidelines
- Snubber Kit
- Heavy-Duty Reinforced Spacer
- Pre-Mounted Pump and Cylinders
- Torsion Spring Assist

The THIEMAN MDC Series Stowaway is the industry standard for handling medium-duty loads.

Designed for fast and easy installation, the MDC25/30 includes a pre-assembled pump and cylinders. With the dual torsion spring assist, the operator can fold and unfold the platform with much less effort.

With its durable design and many standard features, the THIEMAN MDC Series is the choice among general purpose Stowaways.

Features, Benefits and Specifications



STANDARD FEATURES AND BENEFITS:

- Pre-Assembled Pump and Cylinders for Quick and Easy Installation.
- Reduced Maintenance Bushings at All Major Pivot Points.
- Molded Toggle Switch for Convenient Mounting and Protection.
- 150 Amp Circuit Breaker for Electrical Protection.
- Torsion Springs for Easy Platform Handling.
- Heavy-Duty Reinforced Spacer for Better Durability.
- Standard Snubber Kit to Prevent Wear of Liftgate While in Traveling Position.
- Meets All TMC Electrical Guidelines for Reduced Service Requirements.
- Environmentally Sealed Toggle Switch Control for Better Dependability.

AVAILABLE OPTIONS FOR MDC SERIES:

- Remote Pendant Control
- In-Cab Shut Off Switch
- Push Button Control
- Heavy-Duty I-Beam Dock Bumpers
- Light Kits
- Trailer Kits
- Aluminum Platform (AL)
- Power Down
- Rubber Dock Bumpers
- Power Unit Enclosures

| Model # | Platform | Load Capacity | Approx. Install Wt. | Bed Height Range |
|----------------|---------------------------------------|---------------|---------------------|------------------|
| MDC30ET AL | 72" or 84" x 40" + 6" (Alum) | 3000 lbs. | 905 or 925 lbs. | 42" to 54" |
| MDC30ET | 72" or 84" x 42" + 6" | 3000 lbs. | 1010 or 1045 lbs. | 42" to 54" |
| MDC30ET | 72" or 84" x 42" wedge | 3000 lbs. | 1000 or 1040 lbs. | 45" to 54" |
| MDC30ET | 72" or 84" x 42" + 10" Ret Ramp | 3000 lbs. | 1070 or 1080 lbs. | 38" to 54" |
| MDC30ET AL | 72" or 84" x 42" + 10" Ret Ramp(Alum) | 3000 lbs. | 910 or 935 lbs. | 38" to 54" |
| MDC25ET | 72" or 84" x 48" wedge (St/Alum) | 2500 lbs. | 975 or 990 lbs. | 45" to 54" |
| MDC LB 25ET | 72" or 84" x 48" wedge (St/Alum) | 2500 lbs. | 975 or 990 lbs. | 38" to 45" |
| MDC25ET AL | 72" or 84" x 48" wedge (Alum) | 2500 lbs. | 885 or 905 lbs. | 45" to 54" |
| MDC LB 25ET AL | 72" or 84" x 48" wedge (Alum) | 2500 lbs. | 885 or 905 lbs. | 38" to 45" |

Application: Van Bodies, Stake Bodies, and Trailers
ET- Electric with Toggle Switch Control/Gravity Down

Distributed By:

Hawkeye Truck Equipment
 (515) 289-1755
 (800) 622-8223

THIEMAN
TAILGATES INC.
Raising Performance to New Level

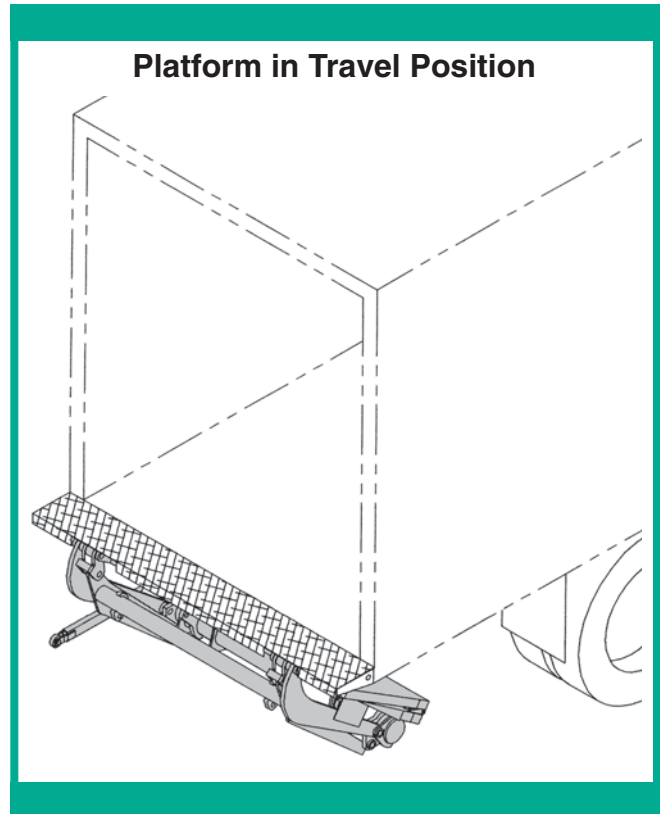
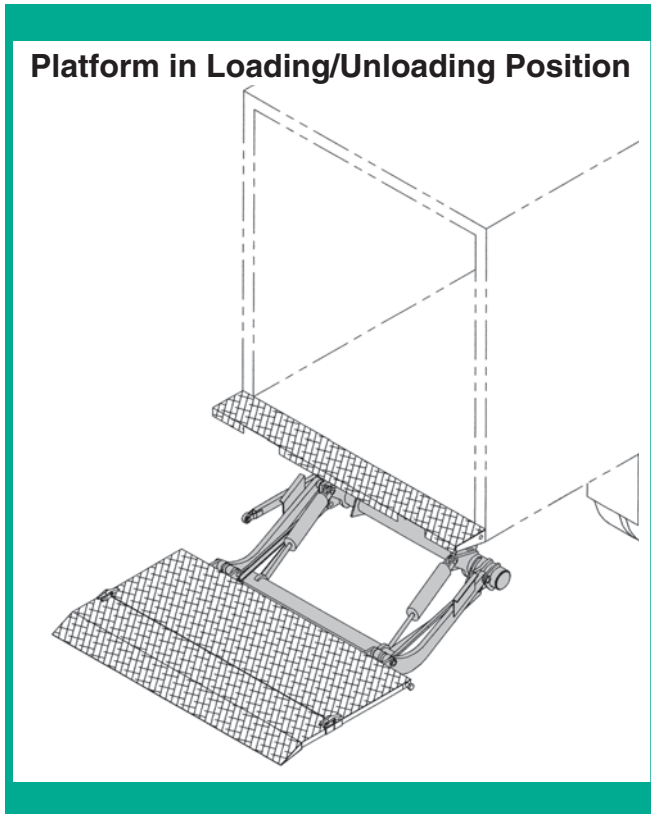
THIEMAN Reserves the right to Change Products Specifications at any time Without Prior Notice.
 Printed in U.S.A. Rev. 1/14 • 2M • MP80839

StowAway

Tailgates By **THIEMAN**

Raising Performance to New Levels

Model ST-40



FEATURING:

- Meets TMC Electrical Guidelines
- Up to 4000 lb. Lift Capacity
- Dual Cylinder Lift
- Maintenance-Free Bearings
- Heavy-Duty Lift Frame
- 84" x 40" and 84" x 52" Platforms

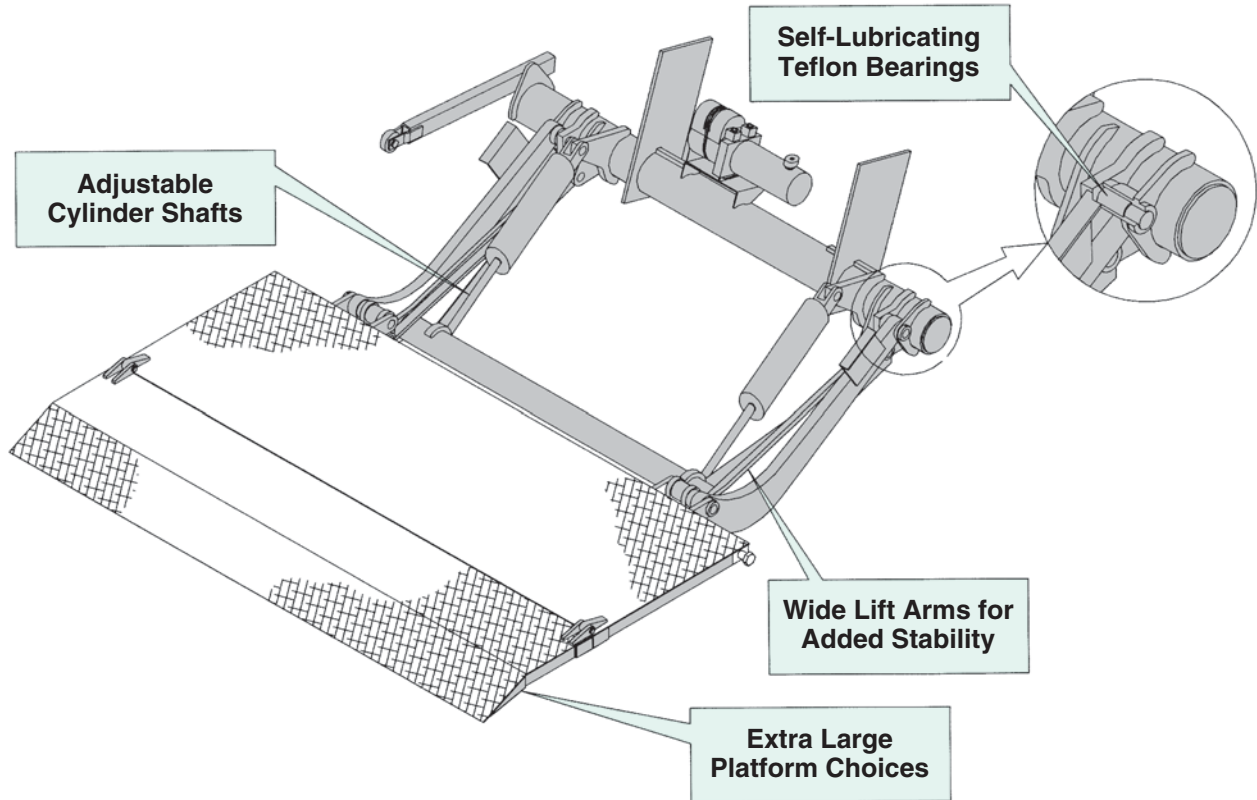
Designed for handling heavy, palletized loads, the THIEMAN ST-40 continues to be the industry choice among the heavy-duty, large platform Stowaways.

With maintenance being a major concern among fleets today, Thieman has incorporated self-lubricating Teflon bearings at all pivot points. This virtually eliminates the need for maintenance.

Along with a large platform and self-lubricating bearings, is the industry's strongest lift frame, which makes the THIEMAN ST-40 the most efficient, reliable, and durable Stowaway in its class.

Features, Benefits and Specifications

Model ST-40 EST



STANDARD FEATURES AND BENEFITS:

- | | | |
|---|---|--|
| <ul style="list-style-type: none"> • Teflon Composite Bearings Used with Stress-Proof Pins for Virtually Maintenance-Free Operation at Pivot Points. • No Lubrication Required at Pivot Points for Less Overall Maintenance. • Dual Lift Cylinders for Maximum Stability. • Adjustable Cylinder Shafts for Adjusting Platform Height. | <ul style="list-style-type: none"> • Adjustment Bolts for Adjusting Platform Angle. • Meets All TMC Electrical Guidelines for Reduced Service Requirements. • Power Up and Power Down for Better Cold Weather Operations. • Solenoid Cover for Increased Reliability. • Sealed Toggle Switch Control for Easy Weather Proof Operation. | <ul style="list-style-type: none"> • Dual Travel Latches to Secure Lift During Road Travel. • 150 Amp Circuit Breaker for Electrical Protection. • Snubber Kit for Reduced Movement While in Travel Position. |
|---|---|--|

AVAILABLE OPTIONS FOR ST-40:

- | | | |
|---|---|--|
| <ul style="list-style-type: none"> • Push Button Control • Remote Pendant Control • In-Cab Shut Off Switch | <ul style="list-style-type: none"> • Heavy Duty I-Beam Dock Bumpers • Rear Impact Guard (FMVSS 223) • Power Unit Enclosure | <ul style="list-style-type: none"> • Light Kits • Trailer Kits • PTO Power Source |
|---|---|--|

| Model # | Platform | Ramp | Load Capacity | Lowering | Approx. Install Wt. | Bed Height Range |
|-----------|-----------|-------------|---------------|----------|---------------------|------------------|
| ST 40 EST | 84" X 40" | 10" | 4000 Lbs. | Power | 1050 | 48" to 56" |
| ST 40 EST | 84" X 52" | *Full Taper | 3300 Lbs. | Power | 1045 | 48" to 56" |

Application: Van Bodies, Trailers and Stake Bodies

EST-Electric w/Toggle Switch Control/Power Down *Aluminum Flip-Over Wedge

Distributed By:

Hawkeye Truck Equipment
 (515) 289-1755
 (800) 622-8223

THIEMAN
TAILGATES INC.

Raising Performance to New Levels

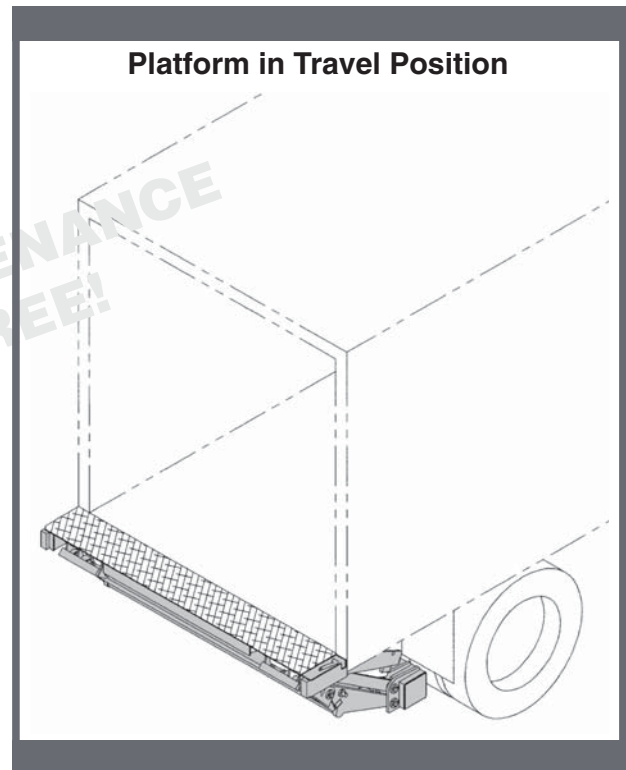
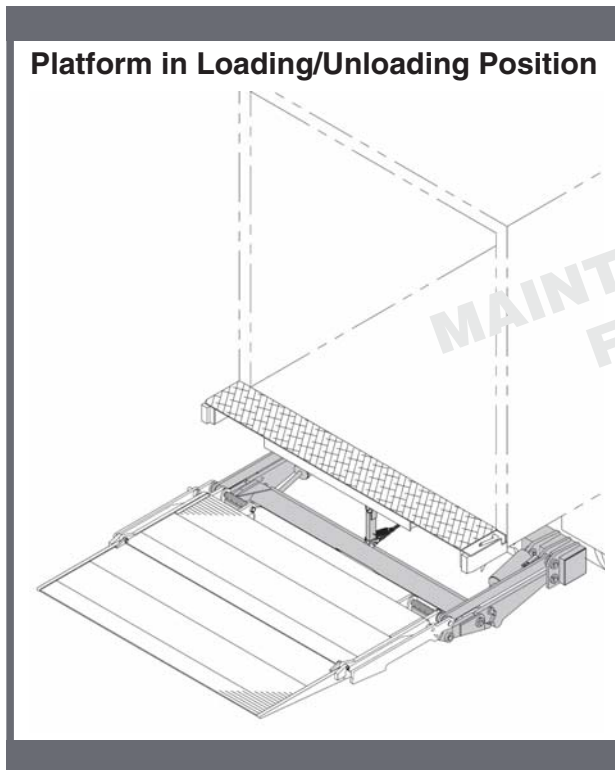
THIEMAN Reserves the right to Change Products Specifications at any time Without Prior Notice.
 Printed in U.S.A. Rev. 5/11 • 1M • MP73023

StowAway

Tailgates By THIEMAN

Raising Performance to New Levels

Model LRST-40



FEATURING:

- Self-Leveling Action
- Large 80" x 60" Platform
- Heavy Duty Lift Frame
- 4000 Lb. Lift Capacity
- Dual Cylinder Lift
- Maintenance-Free Bushings
- Pump Enclosure for Protection from Weather
- Meets TMC Electrical Guidelines



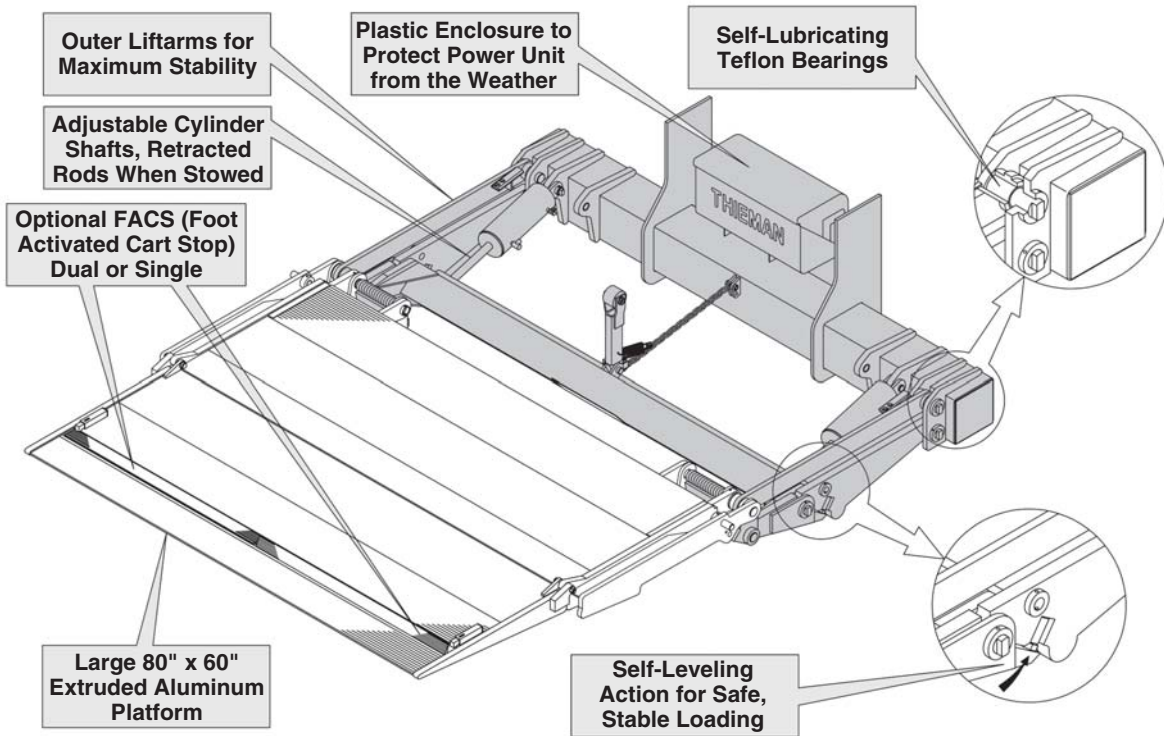
The LRST (Level Ride Stowaway) is designed for handling loads of up to 4,000 lbs. and features a self-leveling action and an adjustable platform to provide a stable, "level with truck" surface for all types of loading conditions.

With maintenance being a major concern among fleets today, Thieman has incorporated self-lubricating Teflon bearings at all of the LRST pivot points. The LRST has a unique design so the cylinder rods are retracted during transit to protect them from road debris. The LRST also includes a standard plastic pump enclosure for protection from the weather. All of these features reduce the need for maintenance and keep your trucks and trailers on the road.

Along with a large 80" x 60" aluminum platform and self-lubricating bearings, is the industry's strongest lift frame. This makes the THIEMAN LRST the most efficient, reliable and durable Level Ride Stowaway in its class.

Features, Benefits and Specifications

Model LRST-40 Standard Features



STANDARD FEATURES AND BENEFITS:

- | | | |
|--|---|---|
| <ul style="list-style-type: none"> • Self-Leveling Action to Provide Stable, "Level with Truck" Surface for All Types of Loads. • Teflon Composite Bearings Used with Stress-Proof Pins for Virtually Maintenance-Free Operation at Pivot Points. • No Lubrication Required at Pivot Points for Less Overall Maintenance. | <ul style="list-style-type: none"> • Dual Lift Cylinders for Maximum Stability. • Adjustable Cylinder Shafts for Adjusting Platform Height. • Adjustment Bolts for Adjusting Platform Angle. • Meets All TMC Electrical Guidelines for Reduced Service Requirements. • Power Up and Power Down for Better Cold Weather Operations. | <ul style="list-style-type: none"> • Plastic Pump Enclosure for Protection from Weather. • Sealed Toggle Switch Control for Easy Weather Proof Operation. • Dual Travel Latches to Secure Lift During Road Travel. • 150 Amp Circuit Breaker for Electrical Protection. • Snubber Kit for Reduced Movement While in Travel Position. |
|--|---|---|

AVAILABLE OPTIONS FOR LRST-40:

- | | | |
|--|--|--|
| <ul style="list-style-type: none"> • Remote Pendant Control • In-Cab Shut Off Switch • Heavy Duty I-Beam Dock Bumpers | <ul style="list-style-type: none"> • Rear Impact Guard (FMVSS 223) • Light Kits • Foot Activated Cart Stops | <ul style="list-style-type: none"> • Trailer Kits • PTO Power Source • Galvanized Undercarriage |
|--|--|--|

| Model # | Platform | Ramp | Load Capacity | Lowering | Approx. Install Wt. | Bed Height Range |
|--------------|-----------|------------|---------------|----------|---------------------|------------------|
| LRST 40 EST | 80" X 60" | Full Taper | 4000 Lbs. | Power | 1450 | 46" to 56" |
| LRST 40 ESPB | 80" X 60" | Full Taper | 4000 Lbs. | Power | 1450 | 46" to 56" |

Application: Van Bodies, Trailers and Stake Bodies

EST-Electric w/Toggle Switch Control/Power Down *ESPB - Electric w/Push Button Control/Power Down

Distributed By:
Hawkeye Truck Equipment
 (515) 289-1755
 (800) 622-8223



Raising Performance to New Levels

THIEMAN Reserves the right to Change Products Specifications at any time Without Prior Notice.
 Printed in U.S.A. Rev. 5/10 • 2M • MP70077