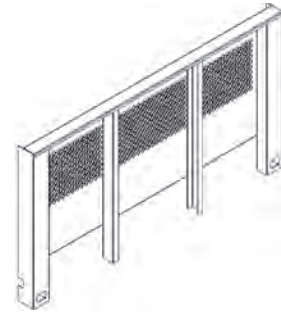


# PLATFORM BODIES

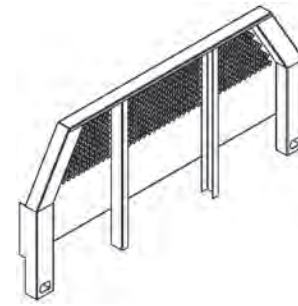


## WELD ON BULKHEAD

- 1/8" Aluminum Skin Sheet
- Inner Stakes are .160" Extruded Channel
- Corner Posts are Gusseted to Side Rails for Added Strength
- Full Access Design Allows Material to be Loaded Flush with Front of Platform

### SIZES AVAILABLE:

40" x 92"    40" x 96"  
48" x 92"    48" x 96"  
52" x 92"    52" x 96"



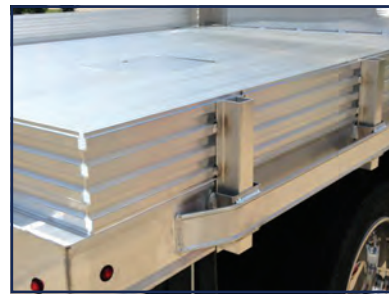
## WELD ON TAPERED BULKHEAD

- 1/8" Aluminum Skin Sheet
- Inner Stakes are .160" Extruded Channel
- Corner Posts are Gusseted to Side Rails for Added Strength
- Full Access Design Allows Material to be Loaded Flush with Front of Platform
- Tapered to Cab

### SIZES AVAILABLE:

40" x 92"    40" x 96"  
48" x 92"    48" x 96"  
52" x 92"    52" x 96"

## SIDE ASSEMBLY OPTIONS



### DROP IN SIDES

6½" Extruded Aluminum  
Drop in Sides Welded  
.160" Hat Sections.



### SOLID SIDES

40" Formed Sides Welded to  
.160" Extruded Hat Sections  
with Two Piece Cargo Doors.



### STAKE RACKS

6061-T6 Extruded  
Aluminum. Includes  
all Hardware, Locking  
Mechanisms, Sides, Rear  
and Back. Available in 28"  
and 40" Tall Sizes.



### CONTRACTOR SIDES

12" Formed Sides and Tailgate  
with Quick Release.

TOOL BOXES ALSO AVAILABLE



**45% LIGHTER THAN STEEL**  
**12% FUEL SAVINGS**

\*up to 12%



# PLATFORM BODIES

For questions or to place an order, contact  
**HAWKEYE TRUCK EQUIPMENT**  
515-289-1755 or 1-800-622-8223



**TOUGH YET LIGHT / SAVE FUEL\* / DESIGNED TO LAST**

up to 12%

# PLATFORM BODIES

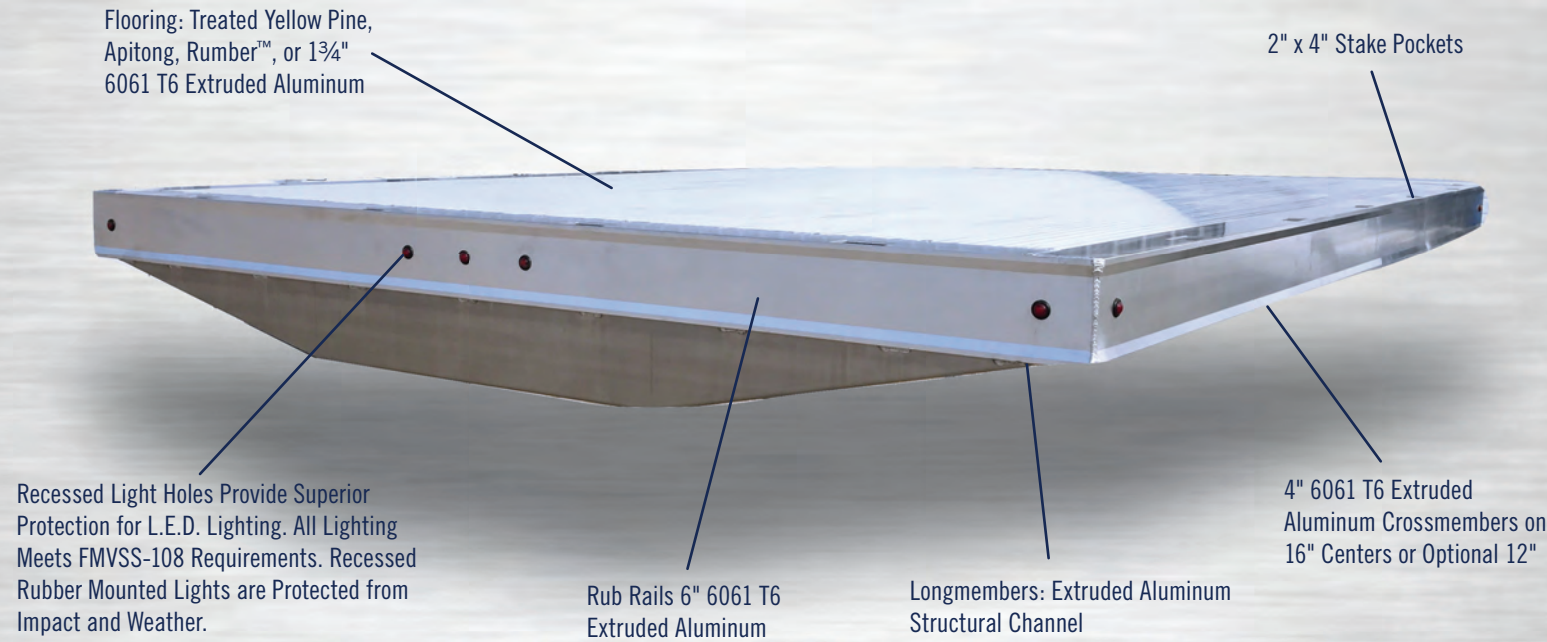
FOR MEDIUM DUTY COMMERCIAL AND AGRICULTURAL USES

96" Wide Standard  
102" Wide Available

For questions or to place an order, contact  
HAWKEYE TRUCK EQUIPMENT  
515-289-1755 or 1-800-622-8223

**LONG MEMBER HEIGHTS:**

8'6" through 14'-6"  
16' through 20'-8"



STACKED UNDER STRUCTURE MODEL SHOWN

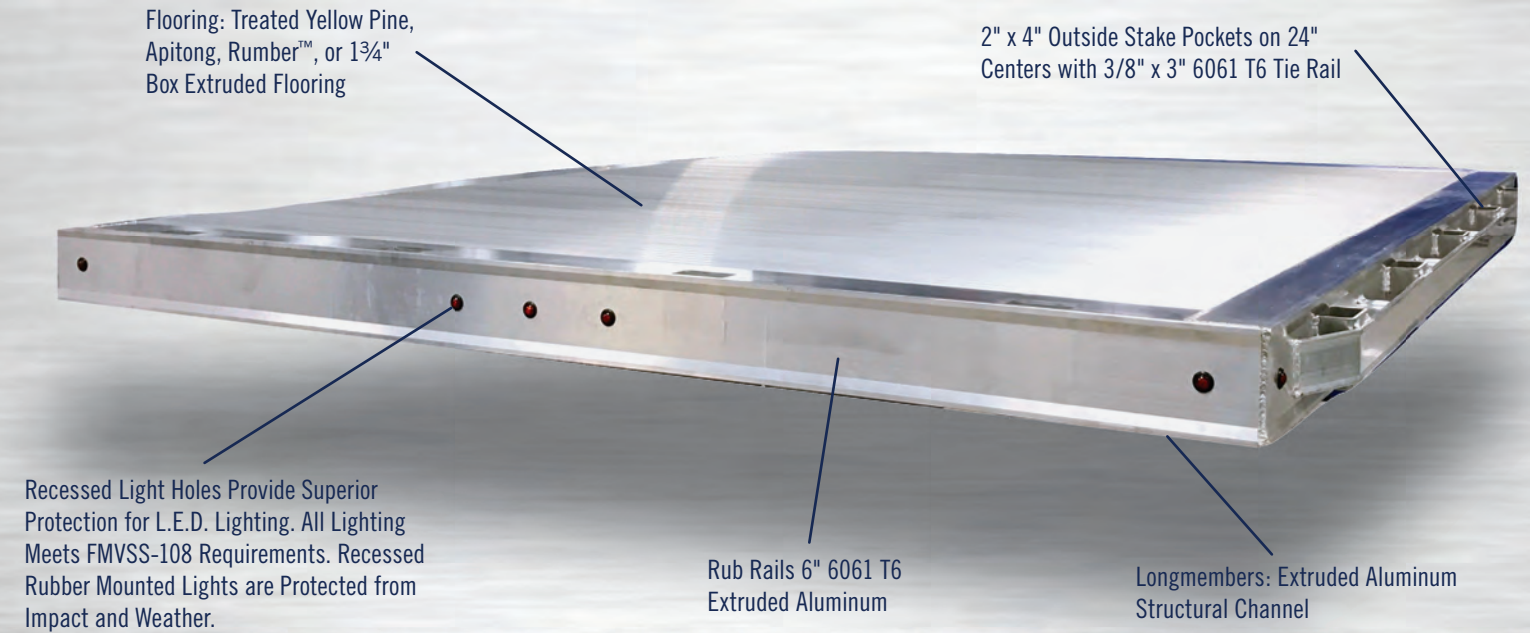
# HEAVY DUTY PLATFORM BODIES

FOR HEAVY DUTY COMMERCIAL AND AGRICULTURAL USES

96" Wide Standard  
102" Wide Available

**LONG MEMBER HEIGHTS:**

9' 4" through 12'-6"  
18' through 24'-8"



CROSSMEMBERLESS MODEL SHOWN

**PLATFORM BODY DIMENSIONS AND WEIGHTS**

PLATFORM DIMENSIONS	WOOD	RUMBER®	APITONG	EXTRUDED ALUMINUM 1¾"
8'6" X 80"	550	775	600	440 *
9'4" X 96"	610	830	660	570 *
11'4" X 96"	680	920	730	600 *
12' X 96"	730	990	790	620 *
14' X 96"	845	1150	910	665
16' X 96"	960	1305	1035	710
18' X 96"	1070	1460	1160	750
20' X 96"	1175	1610	1270	790
22' X 96"	1300	1775	1405	845
24' X 96"	1425	1945	1540	900

\*CROSSMEMBERLESS

**HEAVY DUTY PLATFORM BODY DIMENSIONS AND WEIGHTS**

PLATFORM DIMENSIONS	WOOD	RUMBER®	APITONG	EXTRUDED ALUMINUM 1¾"
9'4" X 96"	595	800	640	525 *
11'4" X 96"	690	935	745	580 *
12' X 96"	710	950	765	585 *
14' X 96"	835	1220	970	645
16' X 96"	935	1255	1005	685
18' X 96"	1175	1580	1265	800
20' X 96"	1215	1615	1305	835
22' X 96"	1365	1845	1470	860
24' X 96"	1445	1925	1550	940

\*CROSSMEMBERLESS