

ILP PALLET PRO

2500 | 3300 lbs. Capacity

PALFINGER

LIFETIME EXCELLENCE

For questions or to place an order, contact
HAWKEYE TRUCK EQUIPMENT
515-289-1755 or 1-800-622-8223

**A PLATFORM SIZE, LEVEL RIDE AND LIFT CAPACITY
TO HANDLE PALLETIZED OR CARTED FREIGHT**



OPTIMIZED CONSTRUCTION

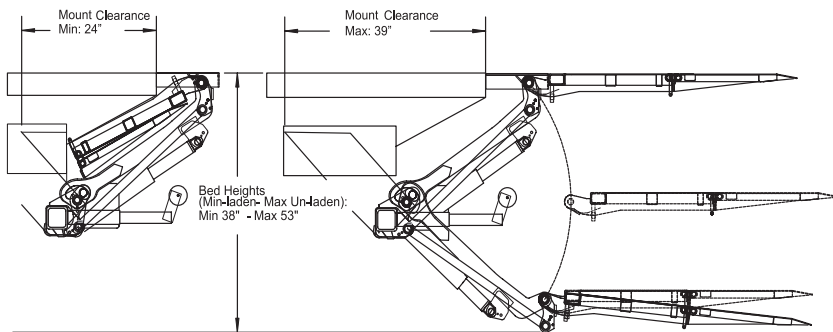
- » Bushings & zerks at all pivot points
- » Heat treated pins
- » Wide lift arm:
 - Provides added stability
 - Accepts a fixed hitch
- » Thermo protected powerpack
- » Increases life of components

STANDARD | SAFETY FEATURES

- » Dual cylinder stability
- » Cab shut off switch
- » Hydraulic cylinder locks on cylinder ports
- » Adjustable roller and dual torsion assist offer minimum effort for platform folding
- » Level ride platform
- » Wide bed height range:
 - The 48" platform unit can be installed on as low as 38" laden bed height/up to 53" unladen

LIFTGATE OPTIONS

- » Auxiliary truck and trailer kits
- » Dock bumpers
- » Rubber pads, 16" & 24"
- » Cart stops
- » DOT rear impact guard
- » Galvanizing
- » Hand held remote
- » Aluminum tip sections
- » All aluminum platforms
- » Wireless remote
- » 2" Receiver hitch



Model	Lifting Capacity (lbs.)	Platform Length (Inches)	Platform Width (Inches)	Bed Height (Inches)	Approx. Weight (lbs.)	Mount Clearance (Inches)
ILP 25 - 33	2500 - 3300	48	80	38 - 53	840	21 - 30
ILP 25-33	2500 - 3300	54	80	45 - 55	900	24 - 34
ILP 25-33	2500 - 3300	60	80	45 - 55	900	24 - 34

HIGHLIGHTS

- » PALFINGER liftgates are pre-filled with aerospace hydraulic fluid. Our standard hydraulic cylinder lock provides added stability, better user control and improved safety.
- » The two cylinder mid arm design can accommodate a fixed receiver hitch. The platform rotates on an adjustable roller to adapt for different bed height installations.
- » The ILP incorporates our double torsions on both the main and folded section. The unique leveling joint on the ILP does not rotate on the ground. This makes the ILP an exceptionally smooth operating lift.

POWERPACK



The thermo protected PowerPack is fully enclosed in a H/D powder coated steel box for protection and easy inspection.

COMPONENTS

By using over sized quality components, maintenance and downtime is minimized

