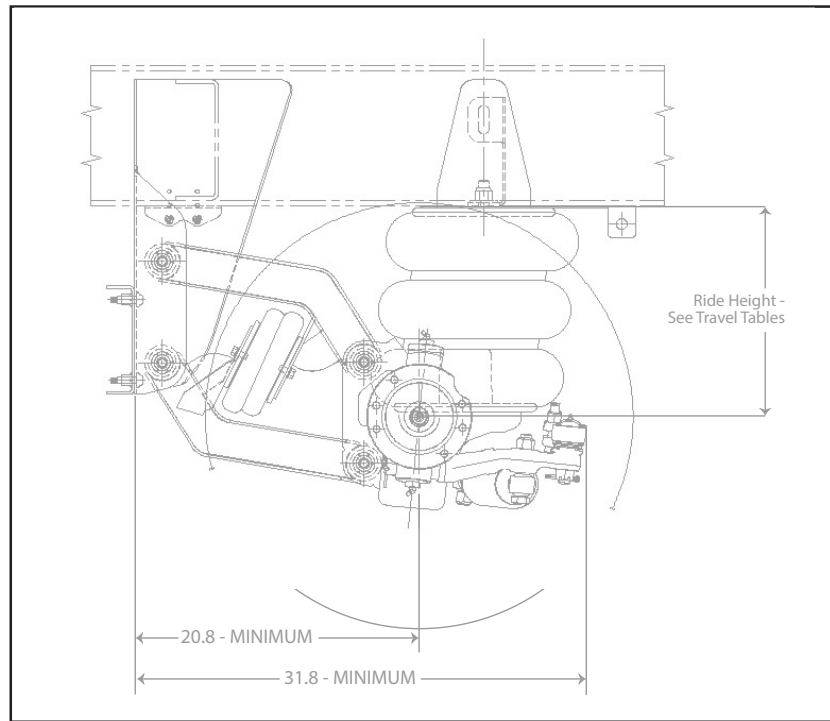
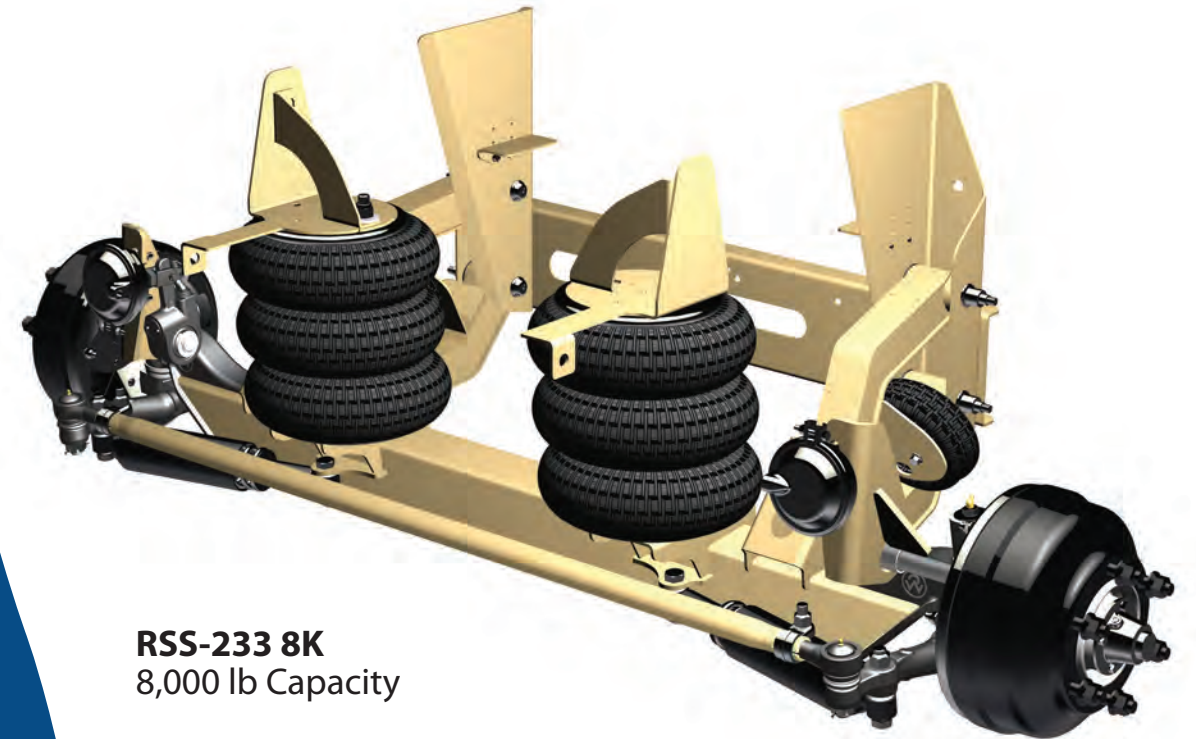


Compact Mounting Envelope



**RIDEWELL
SUSPENSIONS**

RSS-233 8K *Truck* Self-Steering Auxiliary Axle *Lightweight Without Sacrificing Durability*



RSS-233 8K
8,000 lb Capacity

TRAVEL TABLE (Mid-Mount)						
Ride Height	No Spacer		1" Spacer		2" Spacer	
	Up	Down	Up	Down	Up	Down
10.50	6.0	7.0	—	—	—	—
11.00	6.5	6.5	—	—	—	—
11.50	7.0	6.0	6.0	7.0	—	—
12.00	7.5	5.5	6.5	6.5	—	—
12.50	8.0	5.0	7.0	6.0	6.0	7.0
13.00	8.5	4.5	7.5	5.5	6.5	6.5
13.50	9.0	4.0	8.0	5.0	7.0	6.0
14.00	9.5	3.5	8.5	4.5	7.5	5.5
14.50	10.0	3.0	9.0	4.0	8.0	5.0
15.00	—	—	9.5	3.5	8.5	4.5
15.50	—	—	10.0	3.0	9.0	4.0
16.00	—	—	—	—	9.5	3.5
16.50	—	—	—	—	10.0	3.0

TRAVEL TABLE (High-Mount)						
Ride Height	No Spacer		1" Spacer		2" Spacer	
	Up	Down	Up	Down	Up	Down
13.50	6.0	7.0	—	—	—	—
14.00	6.5	6.5	—	—	—	—
14.50	7.0	6.0	6.0	7.0	—	—
15.00	7.5	5.5	6.5	6.5	—	—
15.50	8.0	5.0	7.0	6.0	6.0	7.0
16.00	8.5	4.5	7.5	5.5	6.5	6.5
16.50	9.0	4.0	8.0	5.0	7.0	6.0
17.00	9.5	3.5	8.5	4.5	7.5	5.5
17.50	10.0	3.0	9.0	4.0	8.0	5.0
18.00	—	—	9.5	3.5	8.5	4.5
18.50	—	—	10.0	3.0	9.0	4.0
19.00	—	—	—	—	9.5	3.5
19.50	—	—	—	—	10.0	3.0

For questions or to place an order, contact
HAWKEYE TRUCK EQUIPMENT
515-289-1755 or 1-800-622-8223

Compact mounting envelope

Assembled with Huck® fasteners for reduced maintenance

13" total travel, maximum of 10" lift

Pre-plumbed air tank available

Lightweight

5 year limited warranty

RSS-233 8K Auxiliary Steerable Lift Axle

For questions or to place an order, contact
HAWKEYE TRUCK EQUIPMENT
515-289-1755 or 1-800-622-8223



Complies with FMVSS121 Brake Requirements

Optional Pre-Plumbed Air Tank
Simplifies and decreases
installation time.

Industry Standard Tie Rod
Traditional tie rod tube keeps wheel
ends in alignment, extending tire life.

Additional Features:

- Kaiser™ kingpins available
- Suspension ships fully assembled
- 10.5" - 19.5" ride heights
- 31.2 degree wheel cut
- Offset control arms for improved lateral stability

Steer Knuckles
Forged one-piece steer knuckles.
Industry standard wheel end
parts for simple replacement.



HuckBolts®
BobTail® HuckBolts® provide
superior joint integrity and 10x the
fatigue strength over conventional
nuts and bolts.



Fully Cast Axle Ends
Durable design adds strength to the
critical axle transition area.

Wheel Ends
6-stud hub to accommodate
17.5" wheel and tire.

