

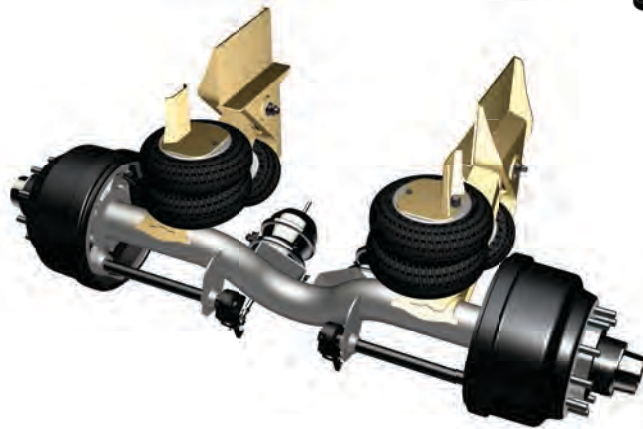
For questions or to place an order, contact
HAWKEYE TRUCK EQUIPMENT
515-289-1755 or 1-800-622-8223

RUL-245 *Truck & Trailer*

Non-Steerable Auxiliary Axle Suspension

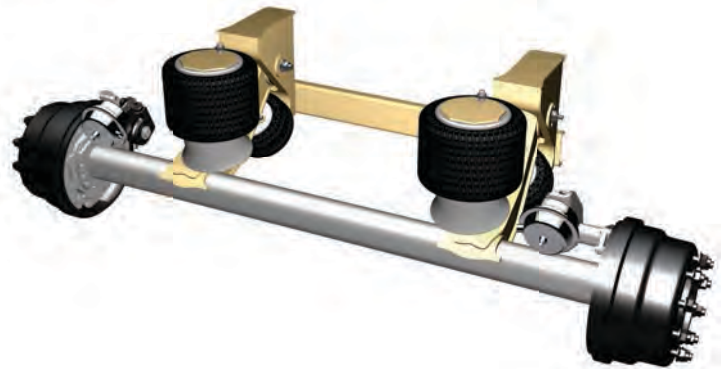
**RIDEWELL
SUSPENSIONS**

RUL-245I *Truck*
13,200 lb. capacity
For I-beam axles with
permanently locked tie
rods



RUL-245R *Truck*
13,200 lb. capacity
For 5" round axles,
straight or drop

RUL-245T *Trailer*
13,200 lb. capacity
For 5" round axles,
straight or drop



Durable, lightweight bushing

Easily adjusts to various frame widths & ride heights

Easy axle alignment system

Axle integration available



RUL-245 Features

Lightweight, compact design fits tight spaces

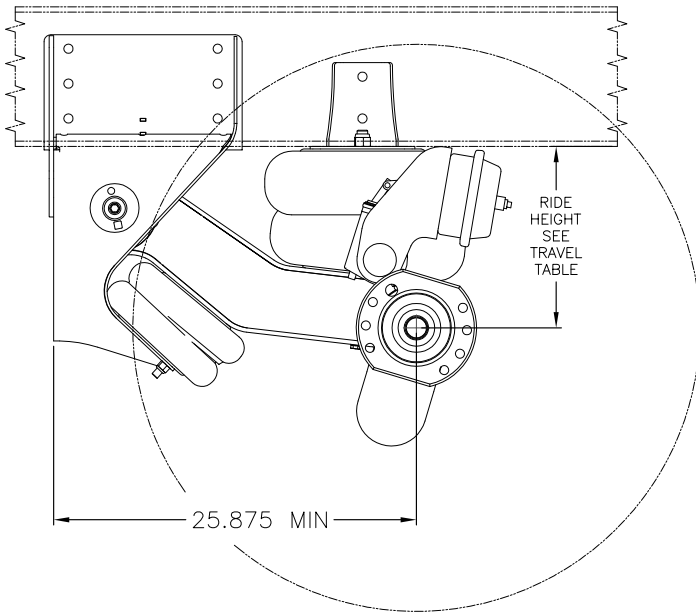
Fits ride heights 11" to 20"

11" total travel; up to 8" of lift

Axle alignment adjustment 1/2" at each hanger

Shear-Type Pivot Bolt

Premium Rubber Bushing



Layout and travel tables are for RUL-245R

Contact Ridewell Suspensions for information on RUL-245I & RUL-245T

**TRAVEL TABLE 245 MM
2450241**

RIDE HEIGHT	NO SPACER		1" SPACER		2" SPACER	
	UP	DOWN	UP	DOWN	UP	DOWN
11.0	4.5	5.0	—	—	—	—
11.5	5.0	4.5	—	—	—	—
12.0	5.5	4.0	4.5	5.0	—	—
12.5	6.0	3.5	5.0	4.5	—	—
13.0	6.5	3.0	5.5	4.0	4.5	5.0
13.5	—	—	6.0	3.5	5.0	4.5
14.0	—	—	6.5	3.0	5.5	4.0
14.5	—	—	—	—	6.0	3.5
15.0	—	—	—	—	6.5	3.0

**TRAVEL TABLE 245 HM
2450251**

RIDE HEIGHT	NO SPACER		1" SPACER		2" SPACER	
	UP	DOWN	UP	DOWN	UP	DOWN
12.5	5.0	6.0	—	—	—	—
13.0	5.5	5.5	—	—	—	—
13.5	6.0	5.0	5.0	6.0	—	—
14.0	6.5	4.5	5.5	5.5	—	—
14.5	7.0	4.0	6.0	5.0	5.0	6.0
15.0	7.5	3.5	6.5	4.5	5.5	5.5
15.5	8.0	3.0	7.0	4.0	6.0	5.0
16.0	—	—	7.5	3.5	6.5	4.5
16.5	—	—	8.0	3.0	7.0	4.0
17.0	—	—	—	—	7.5	3.5
17.5	—	—	—	—	8.0	3.0

For questions or to place an order, contact
HAWKEYE TRUCK EQUIPMENT
 515-289-1755 or 1-800-622-8223

