

# SL-1093 10K TRU-TRACK ALUMILITE

## SELF-STEERING AXLE AND LIFT SUSPENSION SYSTEM



## SL-1093

The SL-1093 10K TRU-TRACK Alumilite with a rated capacity up to 10,000 pounds is our newest addition to the TRU-TRACK family and incorporates our "quick-change ride height system". This steerable lift axle is light weight yet durable utilizing Huck fasteners at the pivot points. The SL-1093 is ideal for dump, mixer and refuse applications. Our Super Short Rail version (SSR) offers a more compact mounting design when space requirements become critical. All TRU-TRACK lift axles are backed by our 5-year limited warranty\*.

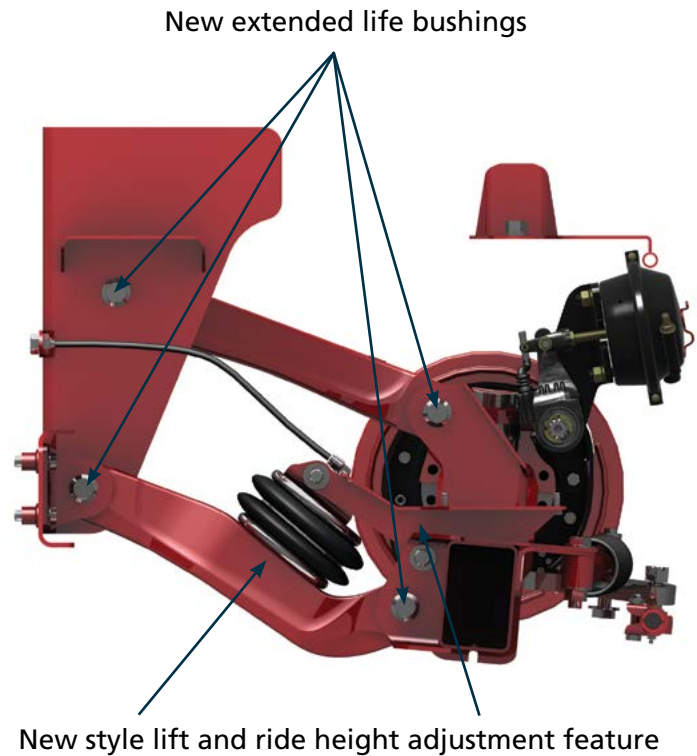
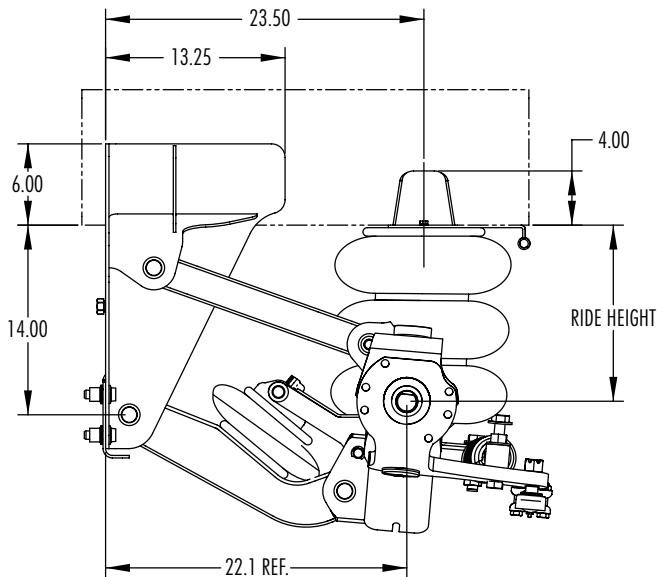
- 10,000 pound suspension capacity
- Compact packaging design of 22.1 inches - SSR
- Ride Heights 9 thru 13 inches
- Maintenance-free Huck fasteners
- Quick-change ride height system
- Eight stud hub for use with 19.5 inch wheels and tires
- 5-year limited warranty\*

\* Contact your local Watson & Chalin representative for complete warranty terms, conditions and limitations.



*Leadership in Suspension Technology*

## INTEGRATED SUSPENSION AND AXLE ASSEMBLY



- Axle travel: 12.25 in.
- Axle lift: 8 in. minimum
- Ride heights: 11 thru 16 in.
- Capacity: 10,000 lbs.
- Fabricated axle, industry components
- Quick-change ride height system
- Lightweight: 709 lbs.
- Reverse lock-out kit available
- Preset caster
- Parallelogram design
- Factory pre-plumbing available

For questions or to place an order, please contact HAWKEYE TRUCK EQUIPMENT at 515-289-1755 or 1-800-622-8223.

