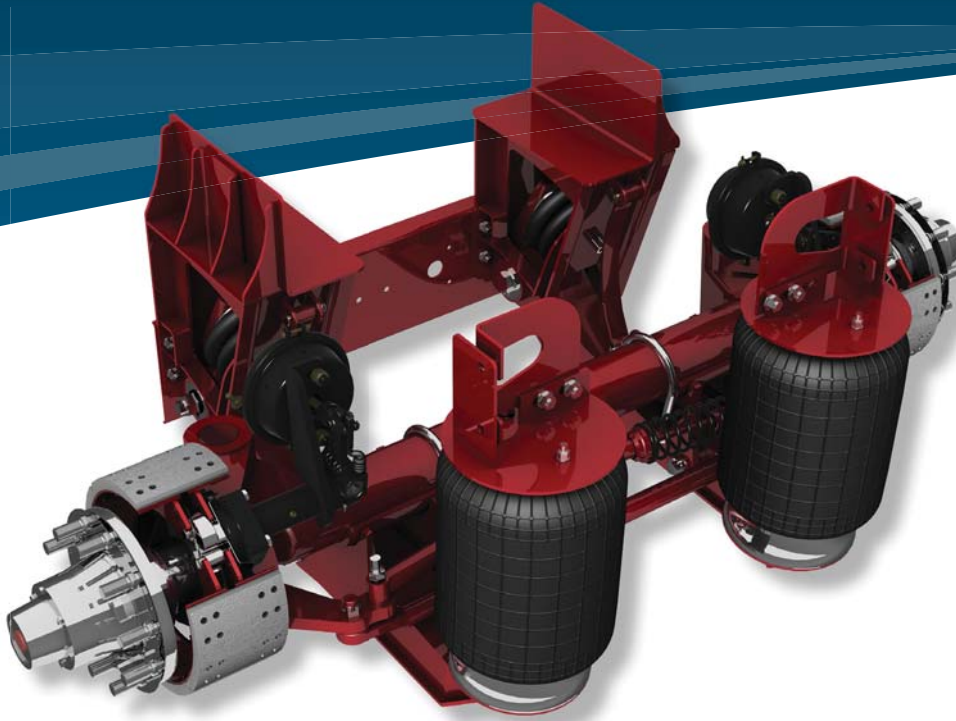


SL-2200

SELF-STEERING AXLE AND LIFT SUSPENSION SYSTEM



SL-2200

The SL-2200 with a rated capacity up to 25,000 pounds is designed for use with dual or super single tires. Maintenance is greatly reduced due to the use of Huck fasteners at the pivot points. This steerable lift axle is compliant with Ontario, Canada "SPIF" regulations and is ideal for dump, heavy-haul and miscellaneous applications. The SL-2200 is backed by our 5-year limited warranty*.

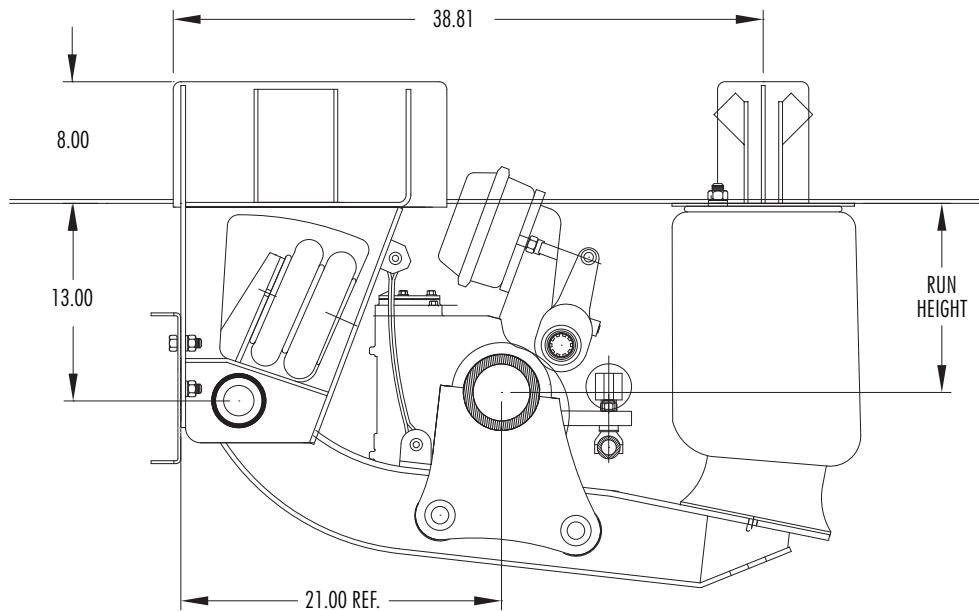
- 25,000 pound suspension capacity
- Compliant with Ontario, Canada "SPIF" regulations
- Ride heights 7 thru 14 inches
- 20 degree wheel cut
- Maintenance-free Huck fasteners
- 5-year limited warranty*

* Contact your local Watson & Chalin representative for complete warranty terms, conditions and limitations.



Leadership in Suspension Technology

INTEGRATED SUSPENSION AND AXLE ASSEMBLY



- Axle travel: 8.75 in.
- Axle lift: 5 in.
- Ride heights: 7 thru 14 in.
- Available with bent tube or straight axle
- "SPIF" air control kit available
- Positive down straps
- Preset caster

For questions or to place an order, please contact **HAWKEYE TRUCK EQUIPMENT** at 515-289-1755 or 1-800-622-8223.

