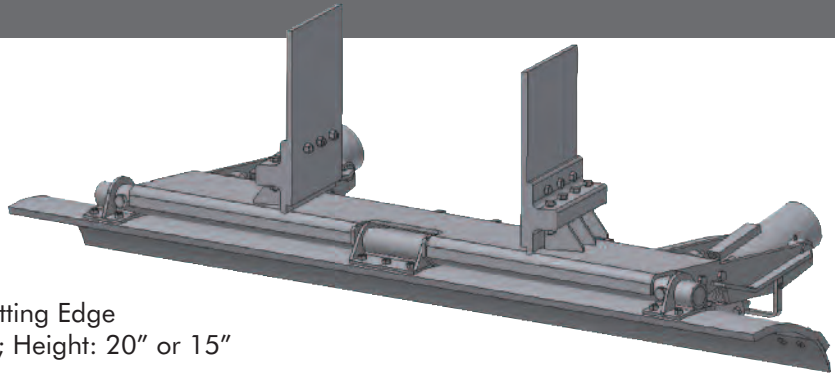


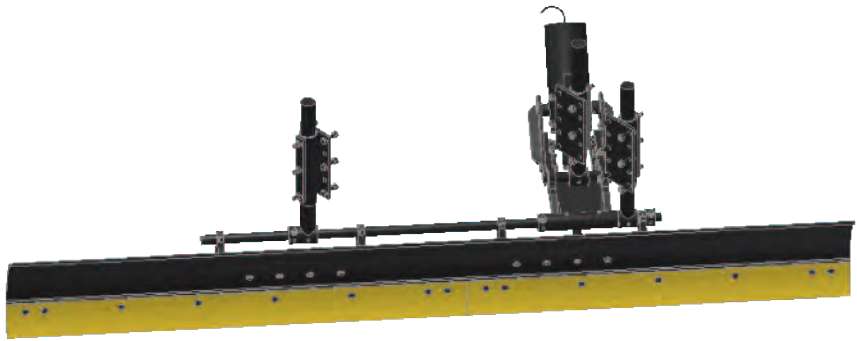
## 3500 FX Scraper



### Standard Features:

- 1" Thick Moldboard with Formed Offset for Cutting Edge
- Fixed Angle Moldboard: Length 10', 11' & 12'; Height: 20" or 15"
- 1/2" x 6" AASHO Punch DBC Cutting Edge
- H.D. 1/2" Reinforced Hangerboard
- Dual Canister Trip
- H.D. Hinge Assembly
- 3/4" Hanger Plates

## MF-5 Fixed Angle Scraper



### Standard Features:

- 1" Thick Moldboard with Formed Offset for Cutting Edge
- Fixed Angle Moldboard - Length: 10', 11' & 12'; Height: 20"
- 1/2" x 6", AASHO Punch, Double Beveled Cutting Edge
- (1) 3" x 11.5" Actuating Cylinder
- One Shock Absorber
- Fixed, Right or Left Discharge Angle 35°-45° (Depending on Vehicle Wheelbase)

### Options:

- Two Actuating Cylinders
- Wrap Around Curb Guard
- Relief Valve
- Special Paint

For questions or to place an order, please contact  
HAWKEYE TRUCK EQUIPMENT at 515-289-1755  
or 1-800-622-8223.