

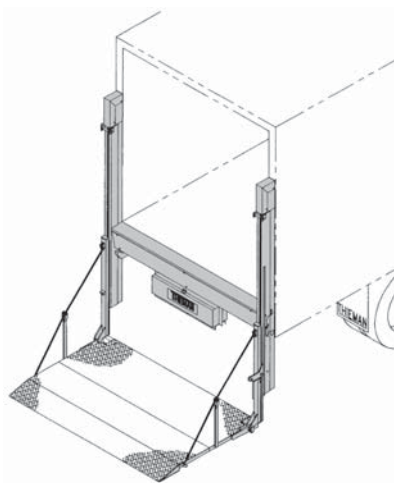
Railgates

Tailgates By **THIEMAN**

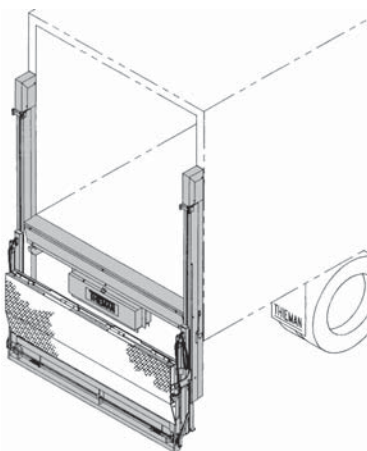
Raising Performance to New Levels

Model VL

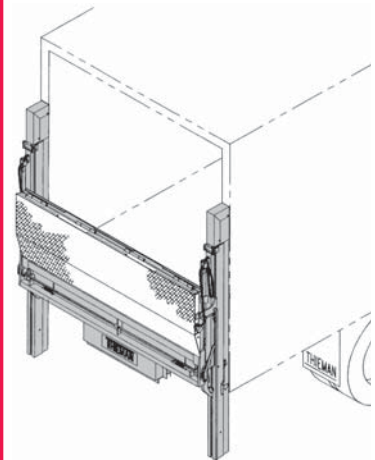
Platform in Loading/Unloading Position



Platform in Docking Position



Platform in Travel Position



FEATURING:

- Meets TMC Electrical Guidelines
- Pre-Assembled Pump and Cylinder
- Power Unit Enclosure
- 90" x 36" to 90" x 72" Platforms
- 3,000 to 5,000 lb. Capacities
- Direct Docking
- Power Close Platform
- Cable Brake
- Roller Sliders

Designed for handling heavy palletized or bulky loads, the THIEMAN VL series is available with platform sizes up to 90" wide x 72" deep.

The THIEMAN VL platform lowers below bed height for dock loading and easy access to the cargo door.

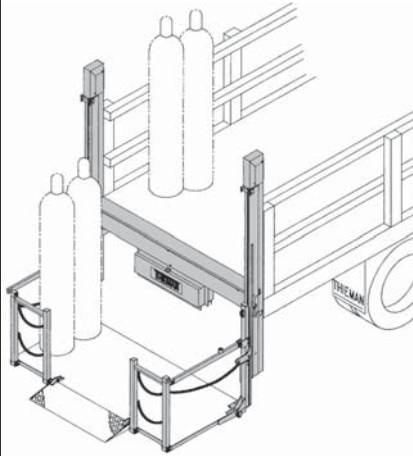
Designed for strength and durability, the VL is built with the strongest "H" frame in the industry. With the heavy duty frame, high quality roller bearings and a cycle tested, premium lift cable, the THIEMAN VL is the leader of its class.



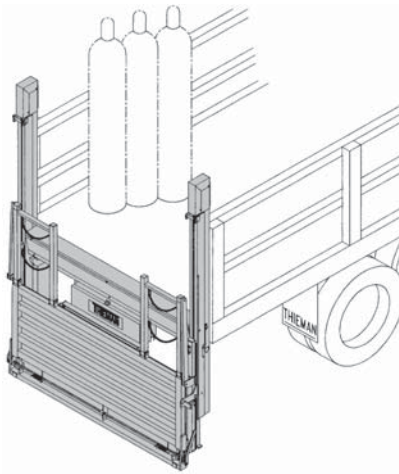
Features, Benefits and Specifications

Model VLBG

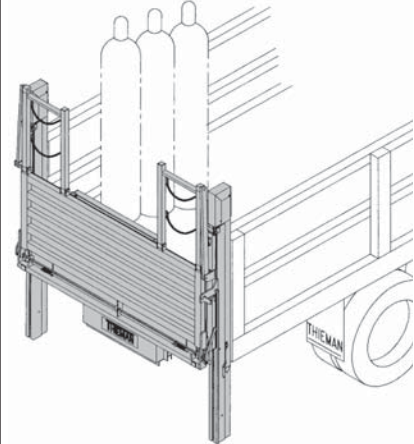
Platform in Loading/Unloading Position



Platform in Docking Position



Platform in Travel Position



STANDARD FEATURES & BENEFITS:

- Weather Protective Power Unit Enclosure Prolongs Life of Power Unit
- Sealed Toggle Switch Control For Easy Operation and Increased reliability
- Cable Brake for Added Safety
- Unique Heavy Duty Slider Rollers for Smooth, Reliable, Long-Life Operation
- Meets All TMC Electrical Guidelines for Reduced Service Requirements
- Mounts on Truck or Trailer Body for Quick and Easy Installation
- Power Close Platform for Increased Efficiency
- Heavy Duty 3/8" H-Frame for Maximum Rail Strength and Impact Resistance
- Direct Dock Access for Easy Loading of Cargo
- 150 Amp Circuit Breaker for Electrical Protection
- Curb and Street Side Independent Height Adjustment

AVAILABLE OPTIONS FOR VL & VLBG:

- Remote Control w/Plug - Electric Operation Gravity Down (VL or VLBG).
- 16" Aluminum Retention Ramp (VL)
- Cart Stop - 4" Automatic (VL)
- 102" Wide Trailer (VL or VLBG)
- Trailer Kits

| Model # | Platform | Load Capacity | Approx. Install Wt. | Bed Height Range |
|---------|---------------|---------------|---------------------|------------------|
| VL 30 | 90" x 36"+6" | 3000 Lbs. | 1645 | 44" to 55" |
| VL 30 | 90" x 42"+6" | 3000 Lbs. | 1676 | * 44" to 55" |
| VL 30 | 90" x 60"+12" | 3000 Lbs. | 1745 | 44" to 55" |
| VL 30 | 90" x 72"+12" | 3000 Lbs. | 1805 | 44" to 55" |
| VL 40 | 90" x 36"+6" | 4000 Lbs. | 1665 | 44" to 55" |
| VL 40 | 90" x 42"+6" | 4000 Lbs. | 1696 | * 44" to 55" |
| VL 40 | 90" x 60"+12" | 4000 Lbs. | 1765 | 44" to 55" |
| VL 40 | 90" x 72"+12" | 4000 Lbs. | 1825 | 44" to 55" |
| VL 50 | 90" x 36"+6" | 5000 Lbs. | 1685 | 44" to 55" |
| VL 50 | 90" x 42"+6" | 5000 Lbs. | 1716 | * 44" to 55" |
| VL 50 | 90" x 60"+12" | 5000 Lbs. | 1785 | 44" to 55" |
| VL 50 | 90" x 72"+12" | 5000 Lbs. | 1845 | 44" to 55" |
| VLBG 30 | 90" x 36"+16" | 3000 Lbs. | 1695 | 44" to 55" |
| VLBG 30 | 90" x 42"+16" | 3000 Lbs. | 1714 | * 44" to 55" |
| VLBG 40 | 90" x 36"+16" | 4000 Lbs. | 1710 | 44" to 55" |
| VLBG 40 | 90" x 42"+16" | 4000 Lbs. | 1734 | 44" to 55" |

NOTE: 90" x 60" and 90" x 72" are Two Piece Platforms.
NOTE: VLBG has Automatic Folding Retention Fence.

NOTE: For bed heights over 55" contact factory.
*NOTE: On 42" Deep One Piece Platforms, the Minimum Bed Height Requirement for Dock Loading is 50"

Distributed By:
Hawkeye Truck Equipment
(515) 289-1755
(800) 622-8223

THIEMAN Reserves the right to Change Products Specifications at any time Without Prior Notice.
Printed in U.S.A. Rev. 5/10 • 2M • MP70078

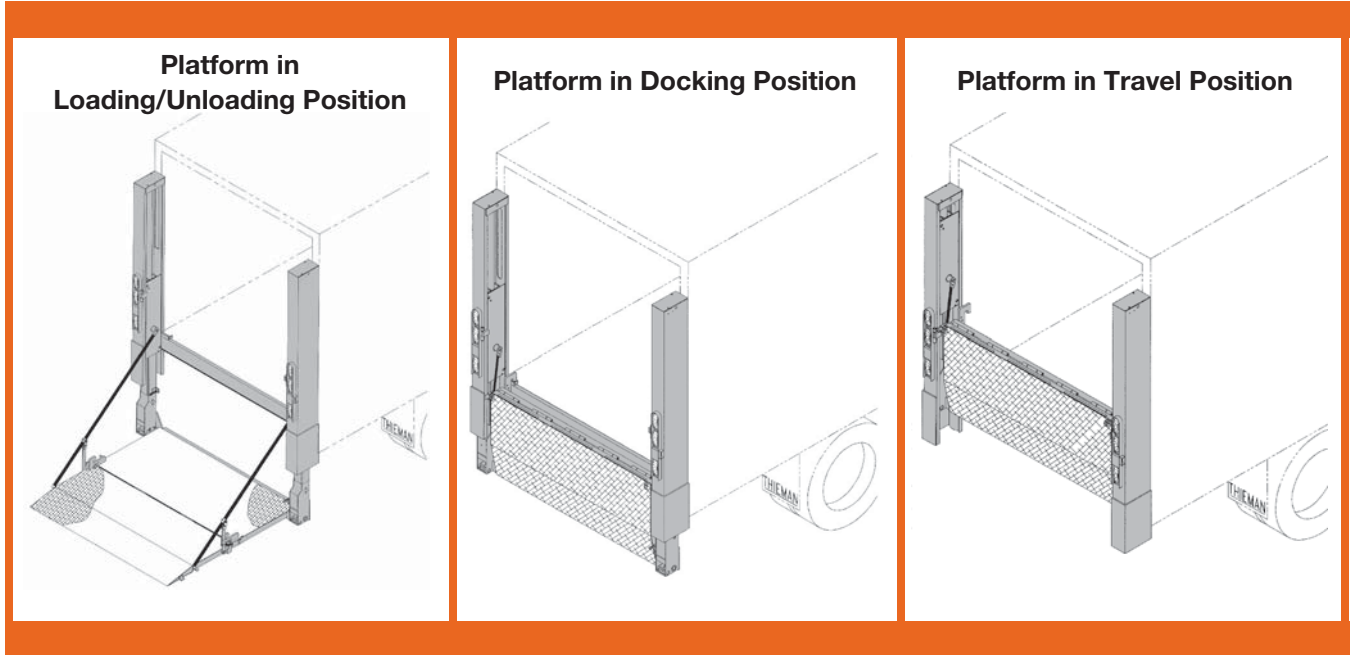
THIEMAN
TAILGATES INC.
Raising Performance to New Levels

Railgates

Tailgates By **THIEMAN**

Raising Performance to New Levels

MODEL TDR



FEATURING:

- Meets TMC Electrical Guidelines
- Direct Cylinder Lift
- Maintenance-Free Bushings
- Built-In Lights
- Audible Safety Alarm
- Safety Cut-Off Switch
- Power Unit Enclosure
- 4400 to 6600 lb. Capacities
- Dual Closing Cylinders

Designed for palletized, cart, and large cargo handling, the THIEMAN TDR Series has the benefits you need in a fully-hydraulic railgate.

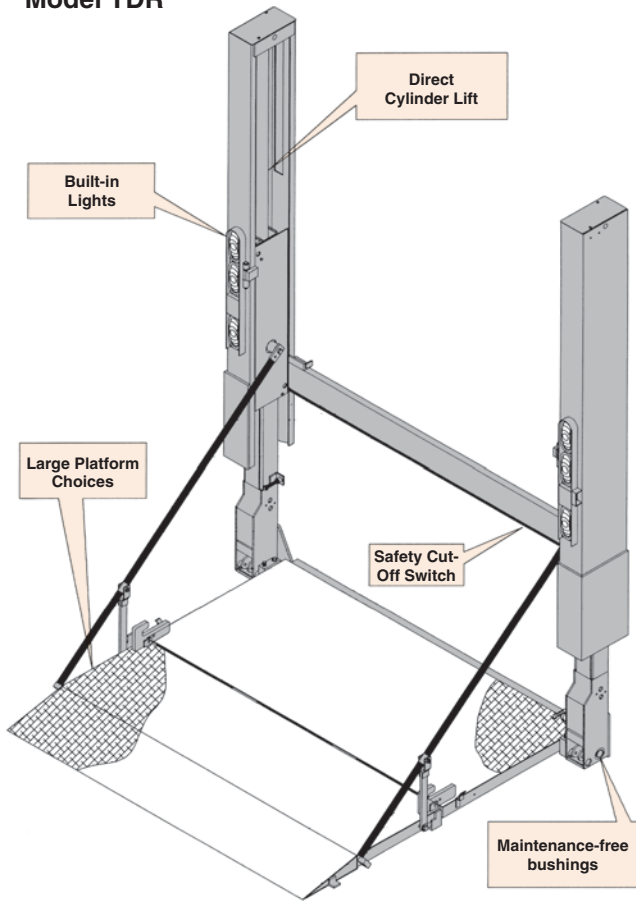
With maintenance being the major concern with today's fleets, the TDR offers you maximum performance and reliability with minimal maintenance.

With its many standard features and available options, the THIEMAN TDR is the #1 choice among the fully-hydraulic railgates.



Features, Benefits and Specifications

Model TDR



STANDARD FEATURES AND BENEFITS:

- Audible safety alarm and safety cut-off switch for added safety
- Gravity lowering platform for reduced stress on power unit
- Rollers and UHMW wear pads in slider for smooth, reliable operation
- Dual cylinder power close for easy operation
- Meets all TMC electrical guidelines for reduced service requirements
- Recessed light package in rail column for protection and visibility
- Teflon composite bushings used with stress-proof pins for virtually maintenance-free operation at major pivot points
- 150 amp circuit breaker for electrical protection
- Weather protective power unit enclosure with slide out tray for easy access to power unit. Enclosure can accommodate two batteries, which are not included

OPTIONS FOR TDR SERIES:

- Aluminum Platforms
- In-Cab Cut Off Switch
- Trailer Kits
- Dock Seal Kit
- Auxiliary Hand Pump
- 102" Wide
- 16" Aluminum Retention Ramp
- Automatic and Foot Activated Cart Stops
- PowerDown
- Bottle Gas Cage

| MODEL NO. | PLATFORM | RAMP | LOAD CAPACITY | INSTALL WEIGHT | BED HEIGHT RANGE | OVERALL WIDTH |
|-----------|-----------|------|---------------|----------------|------------------|---------------|
| TDR-44 | 80" X 62" | 15" | 4400 lb. | 2340 lb. | 40" to 60" | 96" |
| TDR-44 | 80" X 74" | 15" | 4400 lb. | 2370 lb. | 40" to 60" | 96" |
| TDR-44 | 80" X 86" | None | 4400 lb. | 2400 lb. | 40" to 60" | 96" |
| TDR-55 | 80" X 62" | 15" | 5500 lb. | 2385 lb. | 40" to 60" | 96" |
| TDR-55 | 80" X 74" | 15" | 5500 lb. | 2415 lb. | 40" to 60" | 96" |
| TDR-55 | 80" X 86" | None | 5500 lb. | 2445 lb. | 40" to 60" | 96" |
| TDR-66 | 80" X 62" | 15" | 6600 lb. | 2430 lb. | 40" to 60" | 96" |
| TDR-66 | 80" X 74" | 15" | 6600 lb. | 2460 lb. | 40" to 60" | 96" |
| TDR-66 | 80" X 86" | None | 6600 lb. | 2490 lb. | 40" to 60" | 96" |

NOTE: Minimum bed height requirements for dock loading: 40" for 62" depth platforms, 45" for 74" and 86" depth platforms. All platforms listed above are two-piece folding.

NOTE: Lower bed heights are possible depending on allowable ground clearance.

Distributed By:

Hawkeye Truck Equipment

(515) 289-1755

(800) 622-8223

THIEMAN
TAILGATES INC.

Raising Performance to New Levels

THIEMAN Reserves the right to Change Products Specifications at any time Without Prior Notice.
Printed in U.S.A. Rev.4/08 • 4M • MP64738