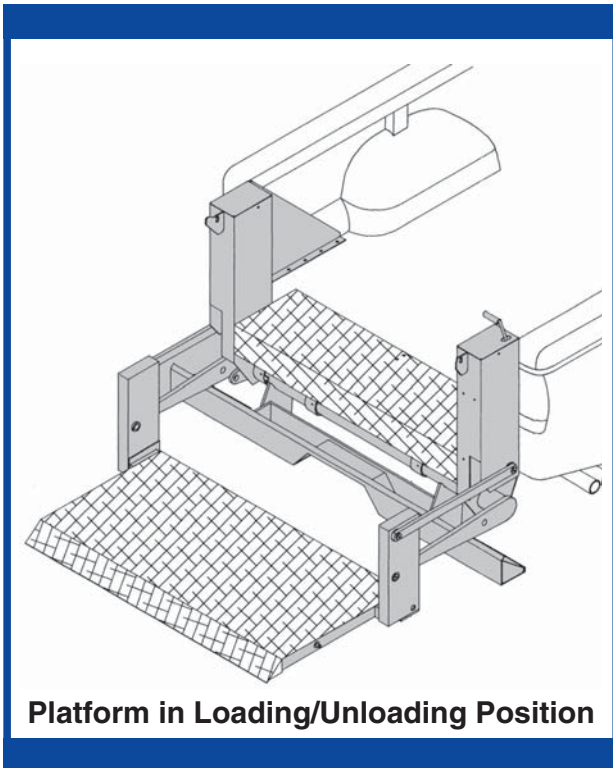


TopLifter

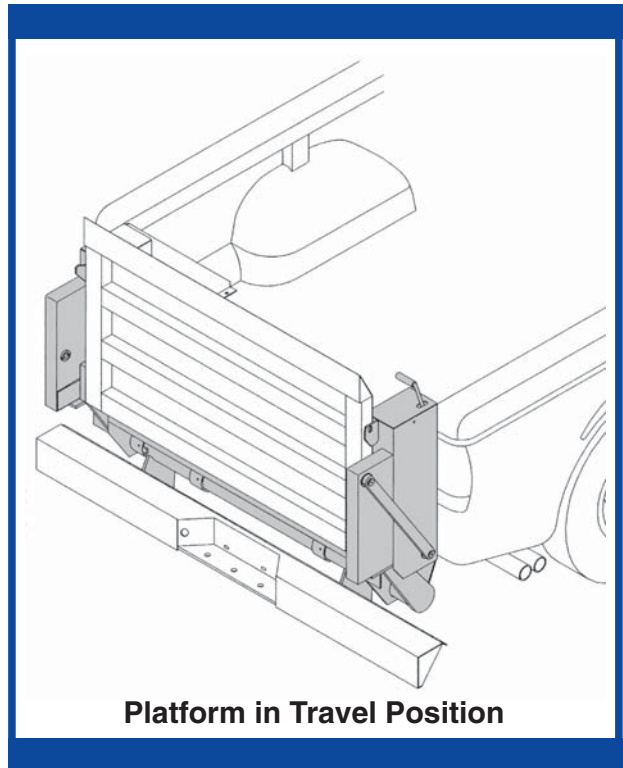
Tailgates By THIEMAN

Raising Performance to New Levels

Model TT-12



Platform in Loading/Unloading Position



Platform in Travel Position

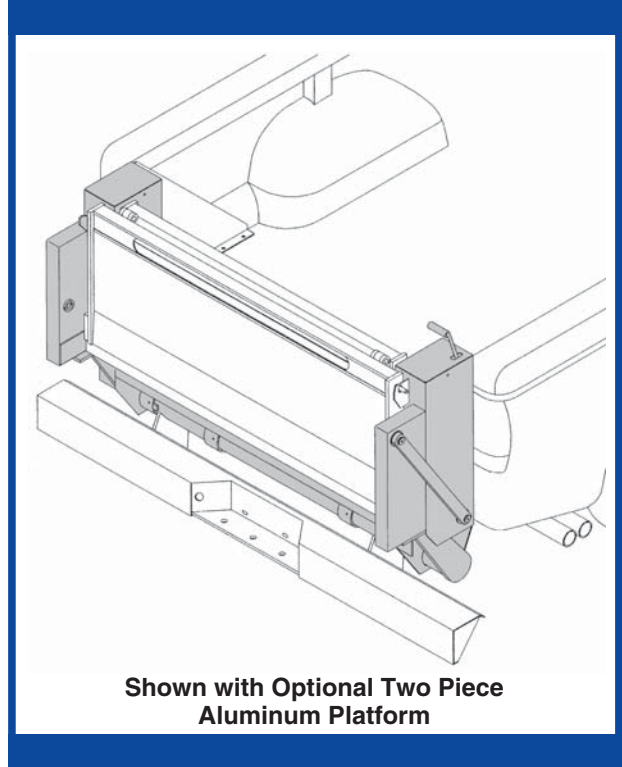
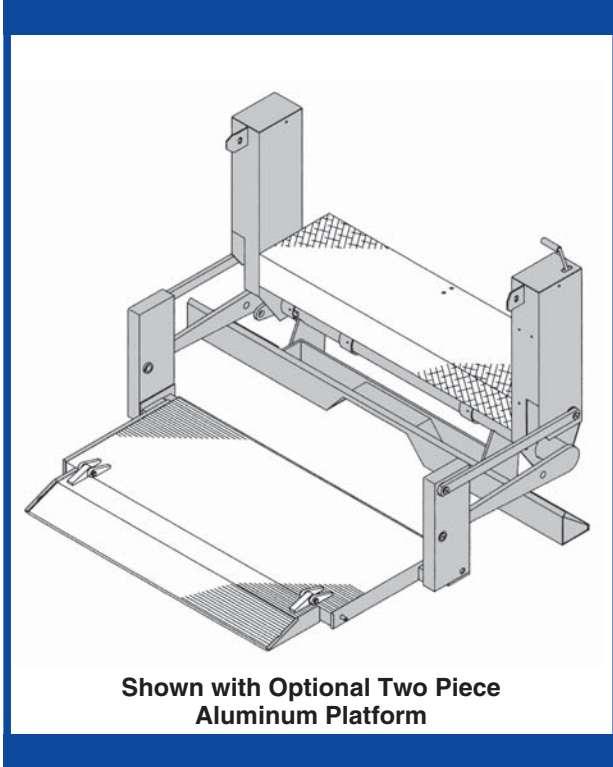
FEATURING:

- Meets TMC Electrical Guidelines
- Direct Cylinder Lift, No Chains or Cables
- Heavy-Duty Steel Diamond Plate Platform & Threshold
- Fully Enclosed Power Unit and Cylinders
- Fast and Easy Installation
- 5000 lb. Tow Rated Bumper

The THIEMAN TT-12 Series is completely assembled into one compact unit - ready to run. Simply bolt or weld it to the truck bed and connect the battery cable. Installation is fast and easy. And years from now, it will be just as simple to remount the TT model on a new truck. The lifting mechanism is completely enclosed for a neat appearance and protection from the elements. The towing rated swing-away bumper is also standard on the TT-12. The THIEMAN TT's overall design makes it the toughest liftgate available in its class.



Features, Benefits and Specifications



STANDARD FEATURES AND BENEFITS:

- Automatic Swing-Away Bumper (5000 lb. Tow Rating) for Towing Capacity.
- Meets All TMC Electrical Guidelines for Reduced Service Requirements.
- Enclosed Cylinders and Power Units for Better Reliability.
- Skid Resistant Steel Diamond Plate Platform and Threshold for Added Safety.
- Adjustable Cylinder Clevis for Easy Platform and Bed Alignment.
- 150 Amp Circuit Breaker for Electrical Protection.

AVAILABLE OPTIONS FOR TT-12:

- A Variety of Platforms Including: Expanded Metal, 2-Piece Folding, Aluminum, Bar Grate, Galvanized
- Molded Toggle Switch (Environmentally Sealed)
- Remote Pendant Control
- No Bumper
- In Cab Shut Off Switch

Model #	Platform	Rated Load Capacity Lbs.	Approx. Inst. Wt.	Bed Height Range
TT12E-5326	53" x 26" + 5"	1250	477	27" - 36"
TT12E-5626	56" x 26" + 5"	1250	491	27" - 36"
TT12EPB-5326	53" x 26" + 5"	1250	479	27" - 36"
TT12EPB-5626	56" x 26" + 5"	1250	493	27" - 36"

E-Electric w/Manual Control EPB-Electric w/Push Button Control

Applications:

TT12-53" x 26"Utility and Service Bodies

TT12-56" x 26"1988 and Later GMC/Chevrolet Pickup, 1994 and Later Dodge Pickup, call factory for applications on 1997 and Later Ford Pickup

Distributed By:

Hawkeye Truck Equipment
 (515) 289-1755
 (800) 622-8223



Raising Performance to New Levels

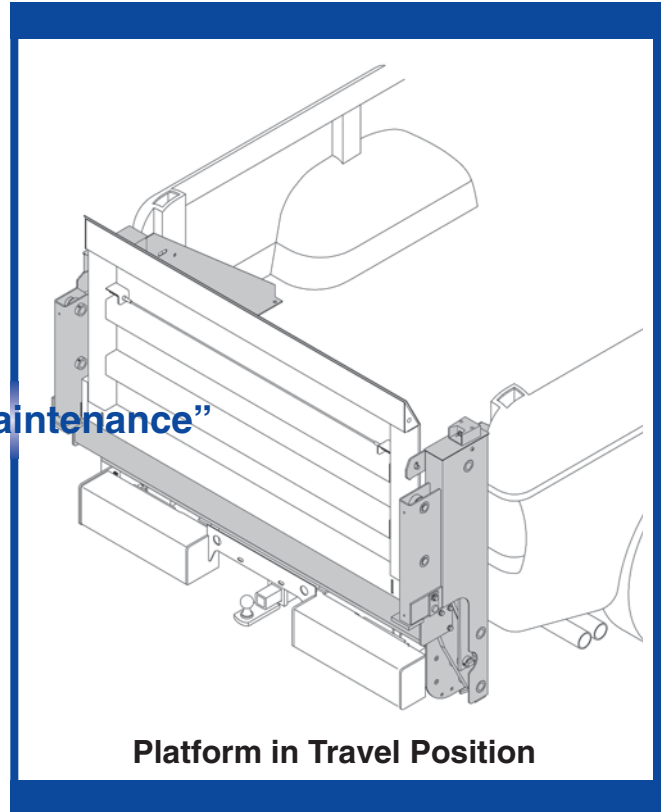
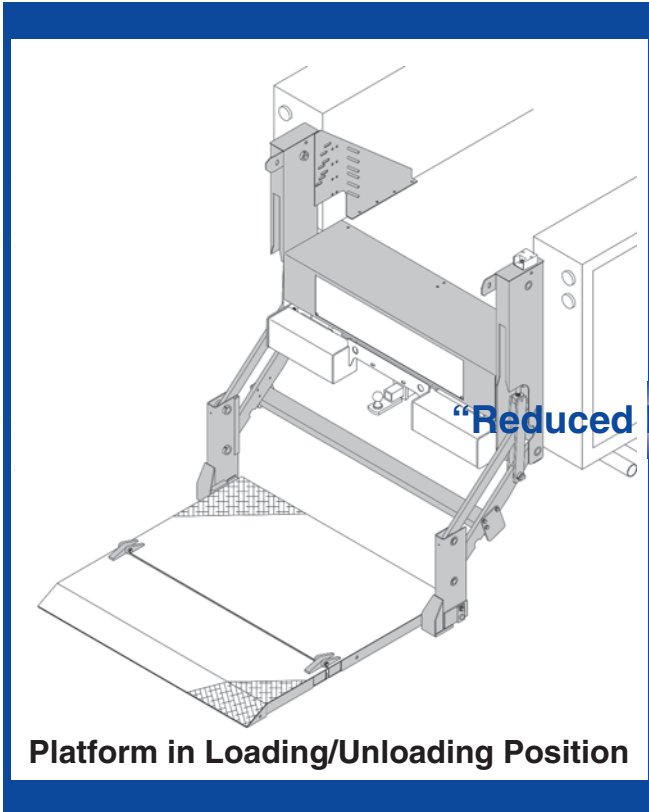
THIEMAN Reserves the right to Change Products Specifications at any time Without Prior Notice.
 Printed in U.S.A. Rev. 5/10 • 2M • MP 70075

TopLifter

Tailgates By **THIEMAN**

Raising Performance to New Levels

Model TT-15



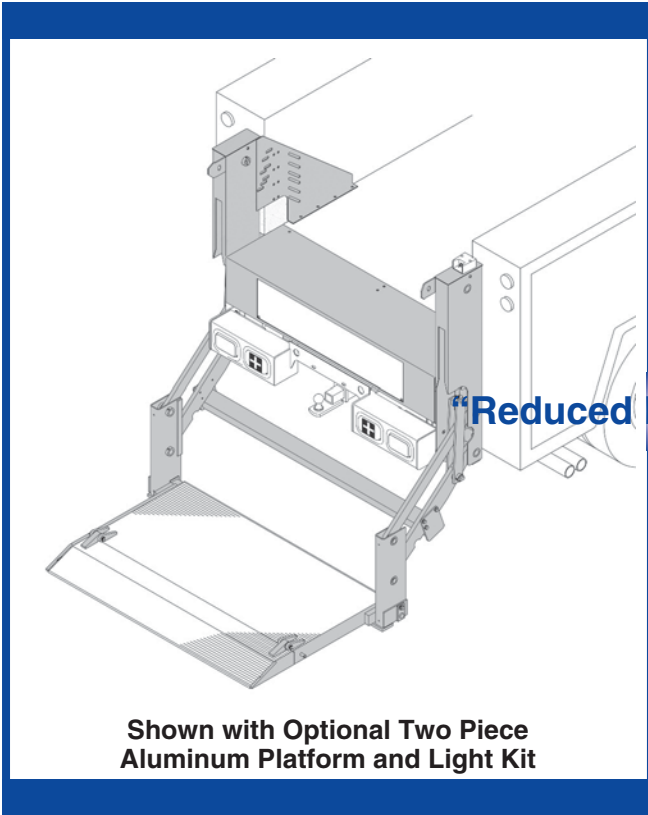
FEATURING:

- **Reduced Maintenance**
- **New Streamline Design**
- **Meets TMC Electrical Guidelines**
- **Direct Dual Cylinder Lift, No Chains or Cables, Wide Opening to Truck Bed**
- **Heavy-Duty Steel Diamond Plate Platform**
- **Fully Enclosed Power Unit & Cylinders**
- **Fast & Easy Installation**
- **Two Piece Bumper (for use with frame attached receivers)**

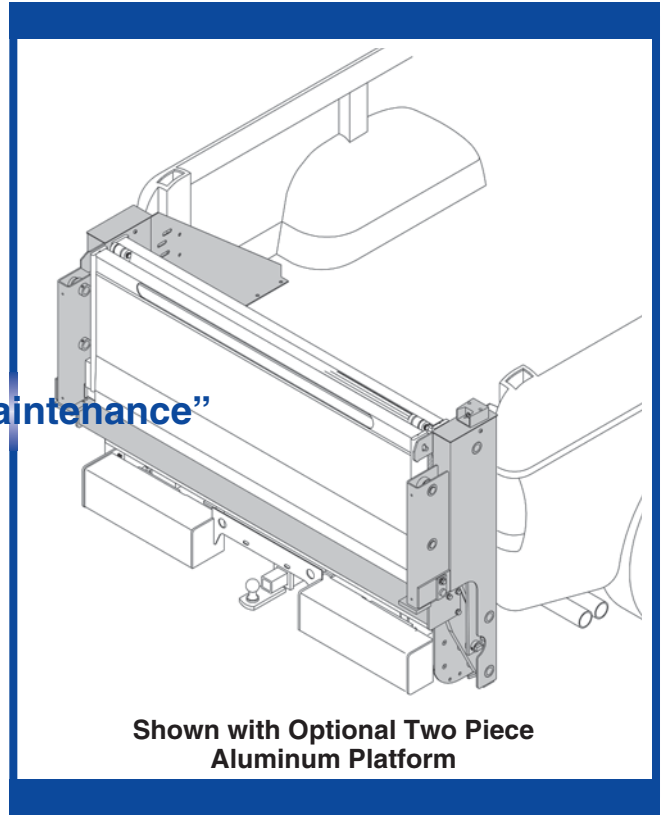
The THIEMAN TT Series is completely assembled into one compact unit - ready to run. Simply bolt and/or weld it to the truck and connect the battery cable. Installation is fast and easy. And years from now, it will be just as simple to remount the TT-15 model on a new truck. The lifting mechanism is completely enclosed for a neat appearance and protection from the elements. A two piece bumper, for use with frame attached receivers, is standard on the TT15. The THIEMAN TT's overall design makes it the toughest liftgate available in its class.



Features, Benefits and Specifications



Shown with Optional Two Piece Aluminum Platform and Light Kit



Shown with Optional Two Piece Aluminum Platform

“Reduced Maintenance”

STANDARD FEATURES AND BENEFITS:

- Dual Cylinder Design for Maximum Lifting Stability.
- Meets all TMC Electrical Guidelines for Reduced Service Requirements.
- Enclosed Cylinders and Power Units for Better Reliability and Easy Accessibility.
- Molded Toggle Switch (Environmentally Sealed).
- Torsion Assist on all 42" Deep Steel Platforms for Easier Opening & Closing of Platform.
- Skid Resistant Steel Diamond Plate Platform for Added Safety.
- Adjustable Cylinder Clevis for Easy Platform and Bed Alignment.
- 150 Amp Circuit Breaker for Electrical Protection
- Two-Piece Bumper for use with Receivers

AVAILABLE OPTIONS FOR TT-15:

- Platform Options Including: Expanded Metal, 2-Piece Folding, Extruded Aluminum, Bar Grate, Galvanized
- Remote Pendant Control
- In-Cab Shut Off Switch
- Light Kit
- 5000 lb. Tow Rated Bumper
- Tire Rack
- Special Platform Widths and Depths

Model #	Platform	Rated Load Capacity Lbs.	Approx. Inst. Wt.	Bed Height Range
TT15-4926	49" x 26" + 5"	1500	497	30" - 45"
TT15-5326	53" x 26" + 5"	1500	508	30" - 45"
TT15-5626	56" x 26" + 5"	1500	523	30" - 45"
TT15-4942	* 49" x 42" + 5"	1500	606	30" - 45"
TT15-5342	* 53" x 42" + 5"	1500	619	30" - 45"
TT15-5642	* 56" x 42" + 5"	1500	658	30" - 45"

*Two-Piece Platform

TT15-49" x 26"/49" x 42"Utility and Service Bodies (Liftgate Frame Dimensions: Post OD=55.00, Post ID=48.62)

TT15-53" x 26"/53" x 42"Utility and Service Bodies (Liftgate Frame Dimensions: Post OD=59.00, Post ID=52.62)

TT15-56" x 26"/56" x 42"1988 and Later GMC/Chevrolet Pickup, 1994 and Later Dodge Pickup, 1997 and Later Ford Pickup

Distributed By:

Hawkeye Truck Equipment
 (515) 289-1755
 (800) 622-8223



Raising Performance to New Levels

THIEMAN Reserves the right to Change Products Specifications at any time Without Prior Notice.
 Printed in U.S.A. Rev. 10/10 • 4M • MP71352